



# EMERGENCY LIGHTING

# EMERGENCY LIGHTING

Our complete range of Ovia® Emergency products and batteries are supplied with a 4 year warranty. All self contained luminaires should use batteries of a type having declared life expectancy of at least 4 years when operated in the luminaire in accordance with Annex A.3 of BS EN 60598-2-22: 2014.

This section of our catalogue hosts a selection of Emergency Lighting products, such as; Bulkheads, Exit Boxes, Surface/Suspended Exit Boxes, Downlights, Twin Spots and Emergency Accessories.

All of our Emergency products are 'Self Contained.' A Self Contained Emergency Sign or Luminaire contains all components such as the battery; lamp and control gear contained within the same housing or within 1 metre of the housing.



INCEPTOR® PRODUCTS TO LOOK OUT FOR IN THIS SECTION...



**HULKE**

4 YEAR  
BATTERY  
WARRANTY

Look out for this icon!



Switch  Inceptor

# INCEPTOR® HULKE



Emergency LED  
Maintained  
Hinged  
Bulkhead



## Replacement Battery

Everything you  
need to complete  
your installation.



## Emergency Bulkhead Legends



White  
Finish



Daylight Colour  
Temperature



30,000  
Hour Lifetime



110°  
Beam Angle  
(°)



Warranty



Ingress  
Protection

OVIA®

INCEPTOR® HULKE | BULKHEAD

3W Emergency LED Maintained Hinged Bulkhead - IP65

AVAILABLE FINISHES



COLOUR TEMPERATURE



PRODUCT INFO

Circuit Wattage (W)	3
CCT (K)	5500
Lumens (lm) (Mains)	151
Lumens (lm) (Emergency)	107
Beam Angle (°)	110
LED Lifetime (Hrs)	30000
Voltage (AC)	220-240
Frequency (Hz)	50/60
Operating Temp (°C)	0 to +40
Viewing Distance (M)	20

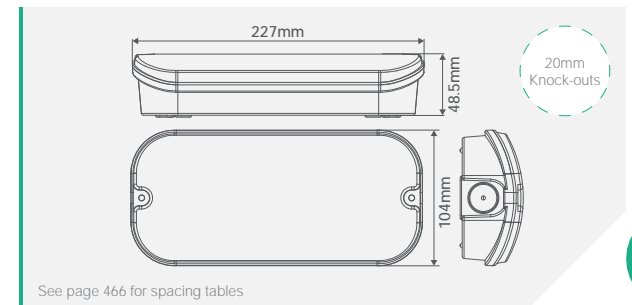
CODE

DESCRIPTION

OVEM2311 3W IP65 Hinged Bulkhead With Legend

COMPATIBLE PRODUCTS

OVEMSP003	Emergency Bulkhead Legends	See page 458
OVEMB3609NCS	3.6V 900mAh Ni-Cd Battery - Serial	See page 452



PRODUCT APPROVALS

BS EN 60598-2-22; BS EN 55015; BS EN 61000-3-2; BS EN 61000-3-3; BS EN 61547

Adhesive Legend Supplied



EMERGENCY



3W Emergency LED Maintained Bulkhead - IP65



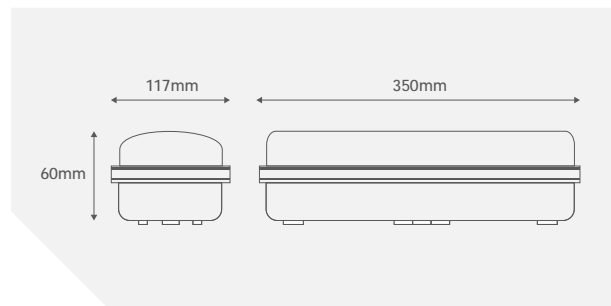
AVAILABLE FINISHES



COLOUR TEMPERATURE



CODE	DESCRIPTION	PRODUCT INFO
OEN3	3W Maintained Bulkhead	Circuit Wattage (W) 3
OEN3-ST	3W Maintained Self-Test Bulkhead	CCT (K) 5500
<b>REPLACEMENT BATTERY</b>		
OEB3215L	3.2V 1500mAh Lithium (LiFePO4) Battery <a href="#">See page 452</a>	Lumens (lm) (Mains) 120
<b>COMPATIBLE PRODUCTS</b>		
OVEMSP004	Emergency Bulkhead Flush Mounting Kit <a href="#">See page 458</a>	Lumens (lm) (Emergency) 110
OVEMSP003	Emergency Bulkhead Legends <a href="#">See page 458</a>	Beam Angle (°) 120
		LED Lifetime (Hrs) 30000
		Voltage (AC) 220-240
		Frequency (Hz) 50/60
		Operating Temp (°C) 0 to +40



See page 467 for spacing tables

PRODUCT APPROVALS

BS EN 60598-2-22; BS EN 62034; BS EN 55015; BS EN 61000-3-2; BS EN 61000-3-3; BS EN 61547



4W Emergency LED Maintained Flush Bulkhead

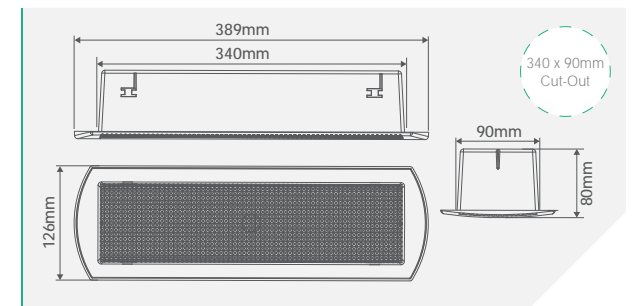
AVAILABLE FINISHES



COLOUR TEMPERATURE



PRODUCT INFO	CODE	DESCRIPTION
Circuit Wattage (W) 4	OEO4	4W Maintained Flush Bulkhead
CCT (K) 5500	<b>REPLACEMENT BATTERY</b>	
Lumens (lm) (Mains) 187	OEB3215L	3.2V 1500mAh Lithium (LiFePO4) Battery <a href="#">See page 452</a>
Lumens (lm) (Emergency) 140		
Beam Angle (°) 100		
LED Lifetime (Hrs) 30000		
Voltage (AC) 220-240		
Frequency (Hz) 50/60		
Operating Temp (°C) 0 to +40		



See page 467 for spacing tables

PRODUCT APPROVALS

BS EN 60598-2-22; BS EN 55015; BS EN 61000-3-2; BS EN 61000-3-3; BS EN 61547



4W Emergency LED Maintained Box Exit Sign

# SELF TEST EMERGENCY LIGHTING

Eliminate the need for manual testing with our range of Self-Test Emergency Lighting!

## SELF-TEST EMERGENCY LIGHTING EXPLAINED

Self-Test emergency lighting checks itself automatically to ensure that the battery and lamp in each emergency light are fully operational. If a problem is detected, the system will display a visual warning. The visual warning consists of an LED indicator fitted or adjacent to each luminaire and shall be indicated as follows:

SHOWING LIGHT	LED STATUS	FITTING STATUS
Green LED ○	Solid	Mains on, battery charging, no faults
Red LED ●	Single Flash	Battery Fault
Red LED ●	Double Flash	Lamp Fault
Red LED ●	Triple Flash	Duration Test Fail

This technology is in compliance with BS EN 62034 and will test itself monthly (functional) and annually (full three-hour duration).

The self-test technology eliminates the need for manual testing, with the responsible person only required to check and record the status of the LED indicator. By not having to perform time consuming manual routine testing, this provides the building owner with a more cost effective solution and is also less disruptive to the building and its occupants.

The intelligent warning technology with indicator results in faults being identified more quickly so that the problem can be dealt with accordingly. Not only does this make it a simple option for solving issues but the initial swap/installation to this type of emergency lighting is easy.

Self-test emergency lighting is one of the most effective ways to meet fire safety building regulations and stay in control of your emergency lighting.

AVAILABLE FINISHES



COLOUR TEMPERATURE



PRODUCT INFO

Circuit Wattage (W)	4
CCT (K)	5500
Lumens (lm) (Mains)	45
Lumens (lm) (Emergency)	40
Beam Angle (°)	100
LED Lifetime (Hrs)	30000
Voltage (AC)	220-240
Frequency (Hz)	50/60
Operating Temp (°C)	0 to +40
Viewing Distance (M)	34

For replacement legends see page 455

CODE

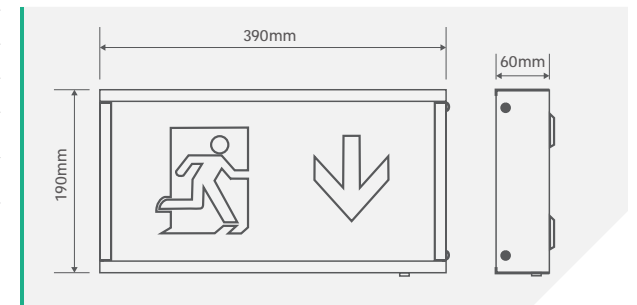
DESCRIPTION

OVEM5311WHD	4W Exit Sign - White - Down
OVEM5311WHL	4W Exit Sign - White - Left
OVEM5311WHR	4W Exit Sign - White - Right
OVEM5311WHU	4W Exit Sign - White - Up

REPLACEMENT BATTERY

OVEMB3615NCP 3.6V 1500mAh Ni-Cd Battery - Parallel

See page 452



PRODUCT APPROVALS

BS EN 60598-2-22; BS EN 55015; BS EN 61000-3-2; BS EN 61000-3-3; BS EN 61547



4W Emergency LED Maintained Box Exit Sign



AVAILABLE FINISHES



COLOUR TEMPERATURE



CODE DESCRIPTION

OVEM5311BKL	4W Exit Sign - Black - Left
OVEM5311BKU	4W Exit Sign - Black - Up
OVEM5311BKR	4W Exit Sign - Black - Right

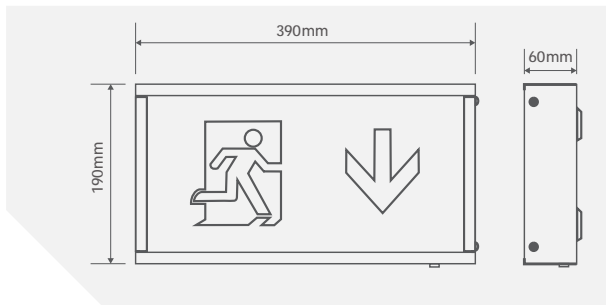
PRODUCT INFO

Circuit Wattage (W)	4
CCT (K)	5500
Lumens (lm) (Mains)	45
Lumens (lm) (Emergency)	40
Beam Angle (°)	100
LED Lifetime (Hrs)	30000
Voltage (AC)	220-240
Frequency (Hz)	50/60
Operating Temp (°C)	0 to +40
Viewing Distance (M)	34

For replacement legends see page 455

REPLACEMENT BATTERY

OVEMB3615NCP 3.6V 1500mAh Ni-Cd Battery - Parallel See page 452



PRODUCT APPROVALS

BS EN 60598-2-22; BS EN 55015; BS EN 61000-3-2; BS EN 61000-3-3; BS EN 61547



4W Emergency LED Self-Test Maintained Box Exit Sign

AVAILABLE FINISHES



COLOUR TEMPERATURE



PRODUCT INFO

Circuit Wattage (W)	4
CCT (K)	5500
Lumens (lm) (Mains)	45
Lumens (lm) (Emergency)	40
Beam Angle (°)	100
LED Lifetime (Hrs)	30000
Voltage (AC)	220-240
Frequency (Hz)	50/60
Operating Temp (°C)	0 to +40
Viewing Distance (M)	34

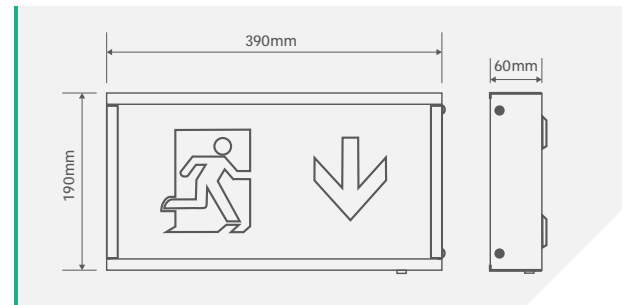
For replacement legends see page 455

CODE DESCRIPTION

OVEM5311WH DST	4W Self-Test Exit Sign - White - Down
OVEM5311WH LST	4W Self-Test Exit Sign - White - Left
OVEM5311WH RST	4W Self-Test Exit Sign - White - Right
OVEM5311WH UST	4W Self-Test Exit Sign - White - Up

REPLACEMENT BATTERY

OVEMB3615NCP 3.6V 1500mAh Ni-Cd Battery - Parallel See page 452



PRODUCT APPROVALS

BS EN 60598-2-22; BS EN 62034; BS EN 55015; BS EN 61000-3-2; BS EN 61000-3-3; BS EN 61547



4W Emergency LED Maintained Box Exit Sign



AVAILABLE FINISHES

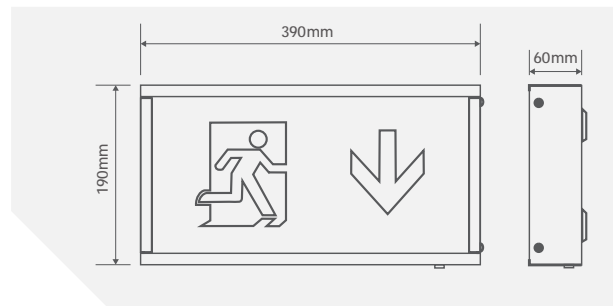


COLOUR TEMPERATURE



CODE	DESCRIPTION
OEC4-D-W	4W Maintained Box Exit Sign Down
OEC4-L-W	4W Maintained Box Exit Sign Left
OEC4-R-W	4W Maintained Box Exit Sign Right
OEC4-U-W	4W Maintained Box Exit Sign Up

REPLACEMENT BATTERY		
OEB3215L	3.2V 1500mAh Lithium (LiFePO4) Battery	See page 452



PRODUCT INFO	
Circuit Wattage (W)	4
CCT (K)	5500
Lumens (lm) (Mains)	45
Lumens (lm) (Emergency)	40
Beam Angle (°)	100
LED Lifetime (Hrs)	30000
Voltage (AC)	220-240
Frequency (Hz)	50/60
Operating Temp (°C)	0 to +40
Viewing Distance (M)	34

For replacement legends see page 455

PRODUCT APPROVALS

BS EN 60598-2-22; BS EN 55015; BS EN 61000-3-2; BS EN 61000-3-3; BS EN 61547



4W Emergency LED Maintained Box Exit Sign

AVAILABLE FINISHES



COLOUR TEMPERATURE



PRODUCT INFO	
Circuit Wattage (W)	4
CCT (K)	5500
Lumens (lm) (Mains)	45
Lumens (lm) (Emergency)	40
Beam Angle (°)	100
LED Lifetime (Hrs)	30000
Voltage (AC)	220-240
Frequency (Hz)	50/60
Operating Temp (°C)	0 to +40
Viewing Distance (M)	34

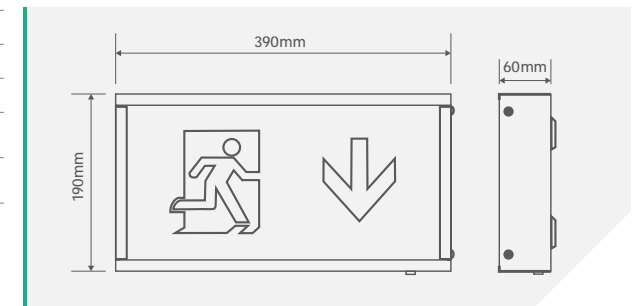
For replacement legends see page 455

PRODUCT APPROVALS

BS EN 60598-2-22; BS EN 55015; BS EN 61000-3-2; BS EN 61000-3-3; BS EN 61547

CODE	DESCRIPTION
OEC4-D-B	4W Maintained Box Exit Sign Down
OEC4-L-B	4W Maintained Box Exit Sign Left
OEC4-R-B	4W Maintained Box Exit Sign Right
OEC4-U-B	4W Maintained Box Exit Sign Up

REPLACEMENT BATTERY		
OEB3215L	3.2V 1500mAh Lithium (LiFePO4) Battery	See page 452



4W Emergency LED Maintained Self-Test Box Exit Sign



AVAILABLE FINISHES



COLOUR TEMPERATURE

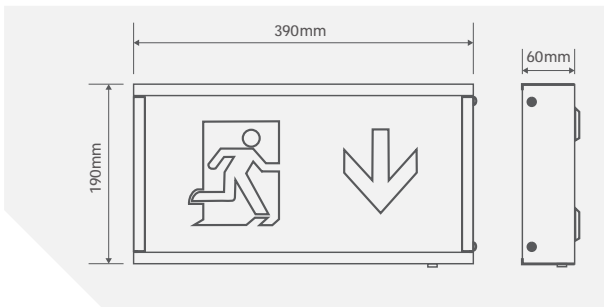


CODE	DESCRIPTION
OEC4-D-ST-W	4W Maintained Self-Test Box Exit Sign Down
OEC4-L-ST-W	4W Maintained Self-Test Box Exit Sign Left
OEC4-R-ST-W	4W Maintained Self-Test Box Exit Sign Right
OEC4-U-ST-W	4W Maintained Self-Test Box Exit Sign Up

PRODUCT INFO	
Circuit Wattage (W)	4
CCT (K)	5500
Lumens (lm) (Mains)	45
Lumens (lm) (Emergency)	40
Beam Angle (°)	100
LED Lifetime (Hrs)	30000
Voltage (AC)	220-240
Frequency (Hz)	50/60
Operating Temp (°C)	0 to +40
Viewing Distance (M)	34

REPLACEMENT BATTERY

OEB3215L 3.2V 1500mAh Lithium (LiFePO4) Battery See page 452



For replacement legends see page 455

PRODUCT APPROVALS

BS EN 60598-2-22; BS EN 62034; BS EN 55015; BS EN 61000-3-2; BS EN 61000-3-3; BS EN 61547



2W Emergency LED Maintained Wall/Ceiling Exit Sign

AVAILABLE FINISHES



COLOUR TEMPERATURE



PRODUCT INFO	
Circuit Wattage (W)	2
CCT (K)	5500
Lumens (lm) (Mains)	40
Beam Angle (°)	100
LED Lifetime (Hrs)	30000
Voltage (AC)	220-240
Frequency (Hz)	50/60
Operating Temp (°C)	0 to +40
Viewing Distance (M)	26

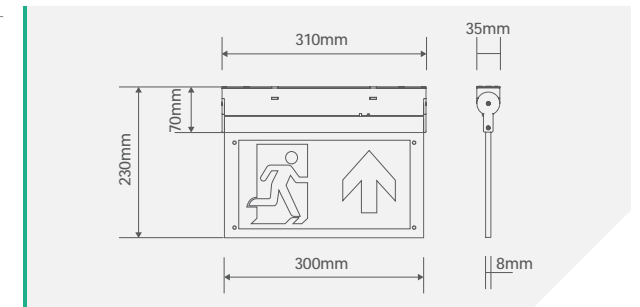
CODE	DESCRIPTION
OE2-D	2W Maintained Wall/Ceiling Exit Sign Down
OE2-LR	2W Maintained Wall/Ceiling Exit Sign Left & Right
OE2-U	2W Maintained Wall/Ceiling Exit Sign Up
OE2-D-ST	2W Maintained Self-Test Wall/Ceiling Exit Sign Down
OE2-LR-ST	2W Maintained Self-Test Wall/Ceiling Exit Sign Left & Right
OE2-U-ST	2W Maintained Self-Test Wall/Ceiling Exit Sign Up

REPLACEMENT BATTERY

OEB3215L 3.2V 1500mAh Lithium (LiFePO4) Battery See page 452

COMPATIBLE PRODUCTS

OVEMSP002 Wall Bracket For Exit Signs See page 458



For replacement legends see page 456

PRODUCT APPROVALS

BS EN 60598-2-22; BS EN 55015; BS EN 61000-3-2; BS EN 61000-3-3; BS EN 61547





2W Emergency LED Maintained Suspended Exit Sign

2W Emergency LED Maintained Suspended Exit Sign

EMERGENCY

EMERGENCY



AVAILABLE FINISHES



COLOUR TEMPERATURE



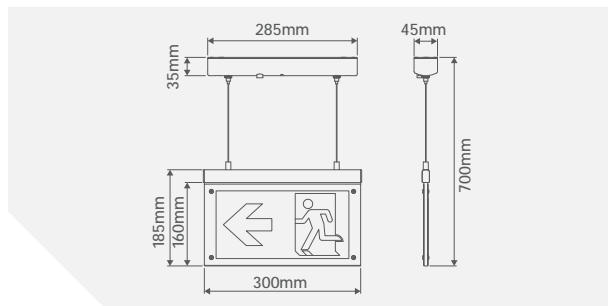
CODE	DESCRIPTION
OVEM4211D	2W Suspended Exit Sign - Down
OVEM4211LR	2W Suspended Exit Sign - Left/Right
OVEM4211U	2W Suspended Exit Sign - Up
OVEM4211DST	2W Self-Test Suspended Exit Sign - Down
OVEM4211LRST	2W Self-Test Suspended Exit Sign - Left/Right
OVEM4211UST	2W Self-Test Suspended Exit Sign - Up

COMPATIBLE PRODUCTS	
OVEMSP002	Wall Bracket For Exit Signs <span style="float: right;">See page 458</span>

PRODUCT INFO	
Circuit Wattage (W)	2
CCT (K)	5500
Lumens (lm) (Mains)	40
Lumens (lm) (Emergency)	30
Beam Angle (°)	100
LED Lifetime (Hrs)	30000
Voltage (AC)	220-240
Frequency (Hz)	50/60
Operating Temp (°C)	0 to +40
Viewing Distance (M)	26

For replacement legends see page 456



Adjustable Height, Double Sided Legend

PRODUCT APPROVALS

BS EN 60598-2-22; BS EN 55015; BS EN 61000-3-2; BS EN 61000-3-3; BS EN 61547



AVAILABLE FINISHES



COLOUR TEMPERATURE



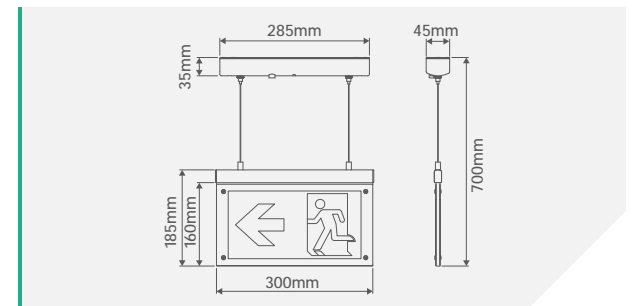
PRODUCT INFO	
Circuit Wattage (W)	2
CCT (K)	5500
Lumens (lm) (Mains)	40
Lumens (lm) (Emergency)	30
Beam Angle (°)	100
LED Lifetime (Hrs)	30000
Voltage (AC)	220-240
Frequency (Hz)	50/60
Operating Temp (°C)	0 to +40
Viewing Distance (M)	26

For replacement legends see page 456

CODE	DESCRIPTION
OEV2-D	2W Maintained Suspended Exit Sign Down
OEV2-LR	2W Maintained Suspended Exit Sign Left
OEV2-U	2W Maintained Suspended Exit Sign Up
OEV2-D-ST	2W Maintained Self-Test Hanging Exit Sign Down
OEV2-LR-ST	2W Maintained Self-Test Hanging Exit Sign Left & Right
OEV2-U-ST	2W Maintained Self-Test Hanging Exit Sign Up

COMPATIBLE PRODUCTS	
OEB3215L	3.2V 1500mAh Lithium (LiFePO4) Battery <span style="float: right;">See page 452</span>



Adjustable Height, Double Sided Legend

PRODUCT APPROVALS

BS EN 60598-2-22; BS EN 55015; BS EN 61000-3-2; BS EN 61000-3-3; BS EN 61547



3W LED IP20 Maintained Emergency Exit Box All Legends



AVAILABLE FINISHES



4 LEGENDS  
supplied as standard



COLOUR TEMPERATURE

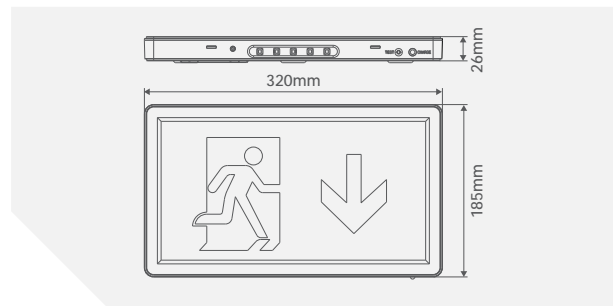


CODE	DESCRIPTION
OEE3	3W LED IP20 Maintained Emergency Exit Box All Legends
OEE3-ST	3W LED IP20 Maintained Emergency Self Test Exit Box All Legends

PRODUCT INFO	
Circuit Wattage (W)	3
CCT (K)	6500
Lumens (lm) (Mains)	36
Lumens (lm) (Emergency)	36
Beam Angle (°)	120
LED Lifetime (Hrs)	50000
Voltage (AC)	220-240
Frequency (Hz)	50/60
Operating Temp (°C)	0 to +40
Viewing Distance (M)	24

For replacement legends see page 454

REPLACEMENT BATTERY		
OEB3215L	3.2V 1500mAh Lithium (LiFePO4) Battery	See page 452



With Down Illumination Installed Supplied with all four legends (UP legend fitted)

PRODUCT APPROVALS

BS EN 60598-1; BS EN 60598-2-22; BS EN 55015; BS EN 61000-3-2; BS EN 61000-3-3; BS EN 61547



2 x 3W Emergency LED Non-Maintained Twin Spot - IP65

AVAILABLE FINISHES



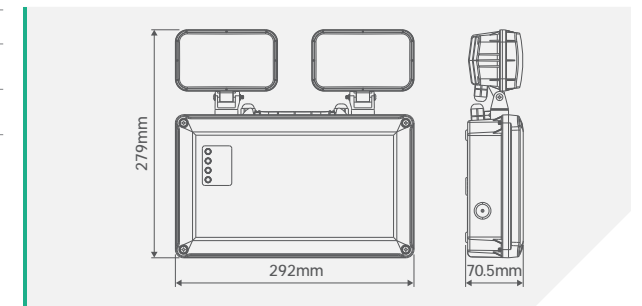
COLOUR TEMPERATURE



PRODUCT INFO	
Circuit Wattage (W)	6
CCT (K)	6500
Lumens (lm)	368
Beam Angle (°)	120
LED Lifetime (Hrs)	50000
Voltage (AC)	220-240
Frequency (Hz)	50/60
Operating Temp (°C)	0 to +40

CODE	DESCRIPTION
OVEM3610WH	2 x 3W IP65 Twin Spot Fitting
OVEM3610WHST	2 x 3W IP65 Self-Test Twin Spot Fitting

REPLACEMENT BATTERY		
OVEMB3630NCS	3.6V 3000mAh Ni-Cd Battery - Serial	See page 452



PRODUCT APPROVALS

Adjustable Spots

BS EN 60598-1; BS EN 60598-2-22; BS EN 55015; BS EN 61000-3-2; BS EN 61000-3-3; BS EN 61547



2 X 3W Emergency LED Non-Maintained Twin Spot



AVAILABLE FINISHES

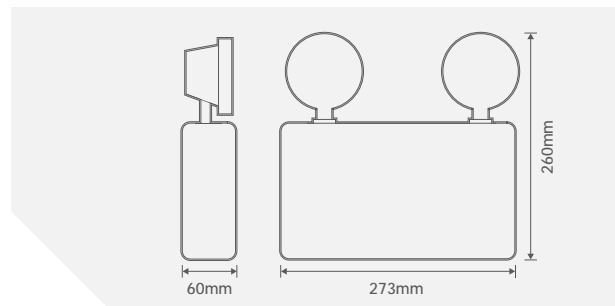


COLOUR TEMPERATURE



CODE	DESCRIPTION
OEN6C	2 X 3W Non-Maintained Twin Spot

REPLACEMENT BATTERY		
OEB3215L	3.2V 1500mAh Lithium (LiFePO4) Battery	See page 452



PRODUCT INFO	
CCT (K)	6000
Lumens (lm)	300
Wattage (W)	6
Beam Angle (°)	100
LED Lifetime (Hrs)	30000
Voltage (AC)	220-240
Frequency (Hz)	50/60
Operating Temp (°C)	0 to +40

PRODUCT APPROVALS

BS EN 60598-2-22; BS EN 62034; BS EN 55015; BS EN 61000-3-2; BS EN 61000-3-3; BS EN 61547



2 X 3W IP65 Emergency LED Non-Maintained Twin Spot

AVAILABLE FINISHES



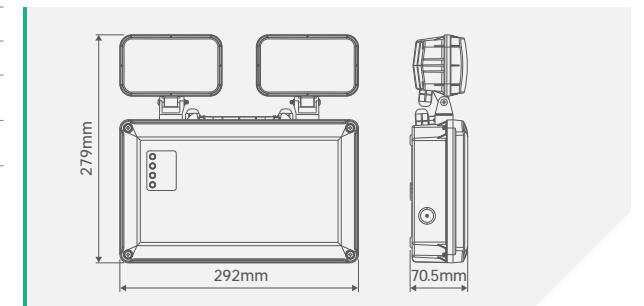
COLOUR TEMPERATURE



PRODUCT INFO	
CCT (K)	6500
Lumens (lm)	350
Wattage (W)	6
CRI	≥70
Beam Angle (°)	120
LED Lifetime (Hrs)	50000
Voltage (AC)	220-240
Frequency (Hz)	50/60
Operating Temp (°C)	0 to +40

CODE	DESCRIPTION
OEN6	2 X 3W IP65 Emergency LED Non-Maintained Twin Spot

REPLACEMENT BATTERY		
OEB3255L	3.2V 5500mAh Lithium (LiFePO4) Battery	See page 452



PRODUCT APPROVALS

BS EN 60598-2-22; BS EN 62034; BS EN 55015; BS EN 61000-3-2; BS EN 61000-3-3; BS EN 61547



Adjustable Spots

2 X 3W IP65 Emergency LED Non-Maintained Self Test Twin Spot



AVAILABLE FINISHES

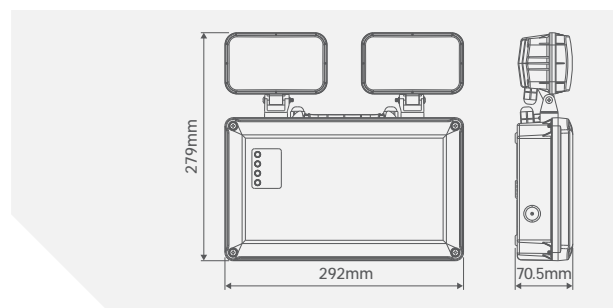


COLOUR TEMPERATURE



CODE	DESCRIPTION
OEN6-ST	2 X 3W IP65 Emergency LED Non-Maintained Self Test Twin Spot
<b>REPLACEMENT BATTERY</b>	
OEB3255L	3.2V 5500mAh Lithium (LiFePO4) Battery <a href="#">See page 452</a>

PRODUCT INFO	
CCT (K)	6500
Lumens (lm)	350
Wattage (W)	6
CRI	≥70
Beam Angle (°)	120
LED Lifetime (Hrs)	50000
Voltage (AC)	220-240
Frequency (Hz)	50/60
Operating Temp (°C)	0 to +40



Adjustable Spots

PRODUCT APPROVALS

BS EN 60598-2-22; BS EN 62034; BS EN 55015; BS EN 61000-3-2; BS EN 61000-3-3; BS EN 61547



5W Emergency LED Non-Maintained Downlights

AVAILABLE FINISHES

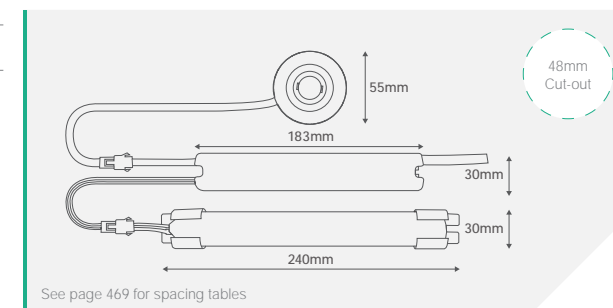


COLOUR TEMPERATURE



PRODUCT INFO	
Circuit Wattage (W)	5
CCT (K)	5500
Lumens (lm)	250
Beam Angle (°)	120
LED Lifetime (Hrs)	30000
Voltage (AC)	220-240
Frequency (Hz)	50/60
Operating Temp (°C)	0 to +40

CODE	DESCRIPTION
OVEM8510	5W Corridor Downlight - White
OVEM8510ST	5W Self-Test Corridor Downlight - White
<b>REPLACEMENT BATTERY</b>	
OVEMB4835NCS	4.8V 3500mAh Ni-Cd Battery - Serial <a href="#">See page 452</a>
<b>COMPATIBLE PRODUCTS</b>	
OEI5CP-W	5W Emergency Downlight Adapter Plate - White <a href="#">See page 453</a>



[See page 469 for spacing tables](#)

[See page 469 for spacing tables](#)

PRODUCT APPROVALS

BS EN 60598-2-22; BS EN 55015; BS EN 61000-3-2; BS EN 61000-3-3; BS EN 61547



3W Emergency LED Non-Maintained Corridor Downlight



AVAILABLE FINISHES



COLOUR TEMPERATURE

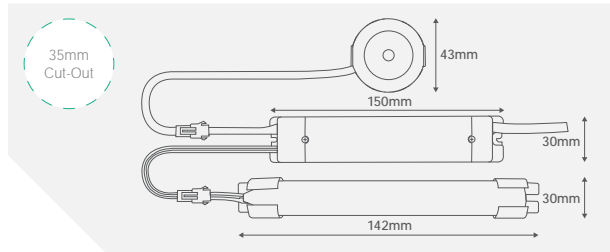


CODE	DESCRIPTION
OEI3C	3W Corridor Downlight
OEI3C-DA	3W DALI Emergency Corridor Downlight
OEI3C-ST	3W Self-Test Corridor Downlight

REPLACEMENT BATTERY		
OEB3215L	3.2V 1500mAh Lithium (LiFePO4) Battery	See page 452

COMPATIBLE PRODUCTS		
OEI3CP	3W Emergency Downlight Adapter Plate	See page 453

PRODUCT INFO	
Circuit Wattage (W)	3
CCT (K)	5500
Lumens (lm)	110
Beam Angle (°)	135
LED Lifetime (Hrs)	30000
Voltage (AC)	220-240
Frequency (Hz)	50/60
Operating Temp (°C)	0 to +40



See page 469 for spacing tables

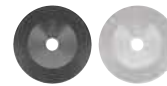
PRODUCT APPROVALS

BS EN 60598-2-22; BS EN 55015; BS EN 61000-3-2; BS EN 61000-3-3; BS EN 61547



3W Emergency LED Non-Maintained Open Downlight

AVAILABLE FINISHES



COLOUR TEMPERATURE

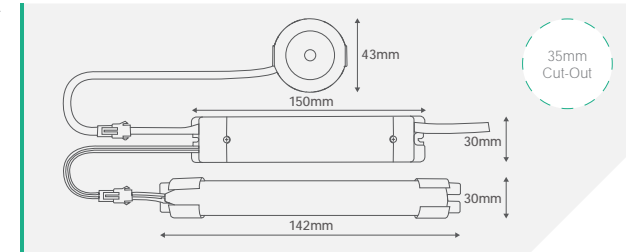


PRODUCT INFO	
Circuit Wattage (W)	3
CCT (K)	5500
Lumens (lm)	130
Beam Angle (°)	120
LED Lifetime (Hrs)	30000
Voltage (AC)	220-240
Frequency (Hz)	50/60
Operating Temp (°C)	0 to +40

CODE	DESCRIPTION
OEI3O	3W Open Downlight
OEI3O-DA	3W DALI Emergency Open Downlight
OEI3O-ST	3W Self-Test Open Downlight

REPLACEMENT BATTERY		
OEB3215L	3.2V 1500mAh Lithium (LiFePO4) Battery	See page 452

COMPATIBLE PRODUCTS		
OEI3CP	3W Emergency Downlight Adapter Plate	See page 453



See page 469 for spacing tables

PRODUCT APPROVALS

BS EN 60598-2-22; BS EN 62034; BS EN 55015; BS EN 61000-3-2; BS EN 61000-3-3; BS EN 61547



EMERGENCY

EMERGENCY

5W Emergency LED Non-Maintained Corridor Downlight



AVAILABLE FINISHES



COLOUR TEMPERATURE

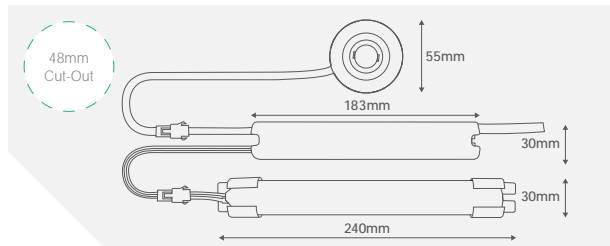


CODE	DESCRIPTION
OE15C	5W Corridor Downlight
OE15C-ST	5W Self-Test Corridor Downlight

REPLACEMENT BATTERY		
OEB3260L	3.2V 6000mAh Lithium (LiFePO4) Battery	See page 452

COMPATIBLE PRODUCTS		
OE15CP	5W Emergency Downlight Adapter Plate	See page 453

PRODUCT INFO	
Circuit Wattage (W)	5
CCT (K)	5500
Lumens (lm)	250
Beam Angle (°)	120
LED Lifetime (Hrs)	30000
Voltage (AC)	220-240
Frequency (Hz)	50/60
Operating Temp (°C)	0 to +40



See page 470 for spacing tables

PRODUCT APPROVALS

BS EN 60598-2-22; BS EN 55015; BS EN 61000-3-2; BS EN 61000-3-3; BS EN 61547



5W Emergency LED Non-Maintained Open Downlight

AVAILABLE FINISHES



COLOUR TEMPERATURE

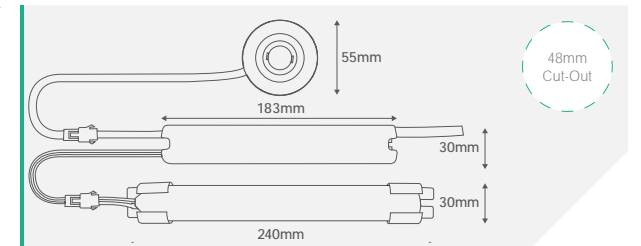


PRODUCT INFO	
Circuit Wattage (W)	5
CCT (K)	5500
Lumens (lm)	250
Beam Angle (°)	120
LED Lifetime (Hrs)	30000
Voltage (AC)	220-240
Frequency (Hz)	50/60
Operating Temp (°C)	0 to +40

CODE	DESCRIPTION
OE15O	5W Open Downlight
OE15O-ST	5W Self-Test Open Downlight

REPLACEMENT BATTERY		
OEB3260L	3.2V 6000mAh Lithium (LiFePO4) Battery	See page 452

COMPATIBLE PRODUCTS		
OE15CP	5W Emergency Downlight Adapter Plate	See page 453



See page 470 for spacing tables

PRODUCT APPROVALS

BS EN 60598-2-22; BS EN 55015; BS EN 61000-3-2; BS EN 61000-3-3; BS EN 61547



2.8W Emergency LED Self-Test Non-Maintained Surface Downlights



AVAILABLE FINISHES

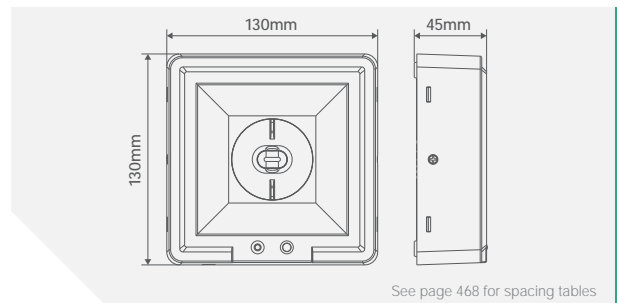


COLOUR TEMPERATURE



CODE	DESCRIPTION
OVEM12210WHST	2.8W Self-Test Square Surface Downlight (3 Lens) - White

REPLACEMENT BATTERY	
OVEMB3620NCS-SC1	3.6V 2000mAh Ni-Cd Battery - 1 + 2 Serial <a href="#">See page 452</a>



See page 468 for spacing tables

Supplied with 3 Lens Types (Corridor, Wide Corridor & Open Area)

PRODUCT INFO	CL			WCL			OAL		
	CL	WCL	OAL	CL	WCL	OAL	CL	WCL	OAL
Circuit Wattage (W)	2.8								
CCT (K)	6500								
Lumens (lm)	137	152	159						
Beam Angle (°)	38	170	161						
LED Lifetime (Hrs)	50000								
Voltage (AC)	220-240								
Frequency (Hz)	50/60								
Operating Temp (°C)	0 to +40								

PRODUCT APPROVALS

BS EN 60598-1; BS EN 60598-2-22; BS EN 55015; BS EN 61000-3-2; BS EN 61000-3-3; BS EN 61547



2.8W Emergency LED Self-Test Non-Maintained Surface Downlights

AVAILABLE FINISHES



COLOUR TEMPERATURE



PRODUCT INFO	CL			WCL			OAL		
	CL	WCL	OAL	CL	WCL	OAL	CL	WCL	OAL
Circuit Wattage (W)	2.8								
CCT (K)	6500								
Lumens (lm)	137	152	159						
Beam Angle (°)	38	170	161						
LED Lifetime (Hrs)	50000								
Voltage (AC)	220-240								
Frequency (Hz)	50/60								
Operating Temp (°C)	0 to +40								

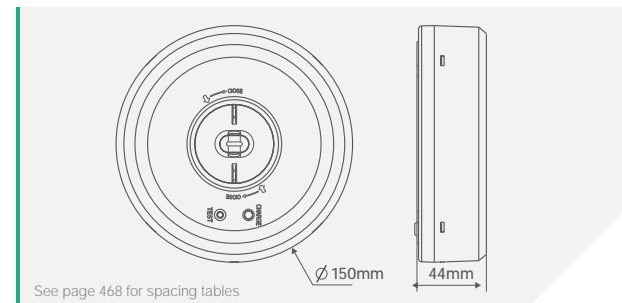
REPLACEMENT BATTERY	
OVEMB3620NCS-SC2	3.6V 2000mAh Ni-Cd Battery - 3 x 1 Serial <a href="#">See page 452</a>

PRODUCT APPROVALS

BS EN 60598-1; BS EN 60598-2-22; BS EN 55015; BS EN 61000-3-2; BS EN 61000-3-3; BS EN 61547

CODE	DESCRIPTION
OVEM10210WHST	2.8W Self-Test Round Surface Downlight (3 Lens) - White

REPLACEMENT BATTERY	
OVEMB3620NCS-SC2	3.6V 2000mAh Ni-Cd Battery - 3 x 1 Serial <a href="#">See page 452</a>



See page 468 for spacing tables

Supplied with 3 Lens Types (Corridor, Wide Corridor & Open Area)



Battery Replacements

WARRANTY  
**5**  
YEAR

CODE	DESCRIPTION	
OEB3212L	3.2V 1200mAh LiFePO4 Replacement Battery	Inceptor Hulke5
OEB3215L	3.2V 1500mAh LiFePO4 Replacement Battery	Calvex5, Hanex5, Newem5, Ibex5 (3W), Novem5, Ornex5
OEB3215LB	3.2V 1500mAh LiFePO4 Replacement Battery with Bracket	Vanex5
OEB3260L	3.2V 6000mAh LiFePO4 Replacement Battery	Ibex5 (5W)
OEB6432L	6.4V 3200mAh LiFePO4 Replacement Battery	Control Gear5

WARRANTY  
**4**  
YEAR

OVEMB3608NCP	3.6V 800mAh Ni-Cd Battery - Parallel	OVEM11311 Range
OVEMB3609NCP	3.6V 900mAh Ni-Cd Battery - Parallel	OVEM4211 Range OVEM4211*ST Range OVEM6211 Range OVEM6211*ST Range
OVEMB3615NCP	3.6V 1500mAh Ni-Cd Battery - Parallel	OVEM5311 Range OVEM5311*ST Range
OVEMB3618NCP	3.6V 1800mAh Ni-Cd Battery - Parallel	OVEM9411 - 4W
OVEMB3618NCP-BT	3.6V 1800mAh Ni-Cd Battery - Parallel On Bracket	OVEM3610WHIP20
OVEMB3609NCS	3.6V 900mAh Ni-Cd Battery - Serial	OVEM2311
OVEMB3612NCS	3.6V 1200mAh Ni-Cd Battery - Serial	OVEM1311 OVEM1311ST
OVEMB3618NCS	3.6V 1800mAh Ni-Cd Battery - Serial	OVEM7310 OVEM7310ST OVEM8310 OVEM8310ST
OVEMB3620NCS-SC1	3.6V 2000mAh Ni-Cd Battery - 1 + 2 Serial	OVEM12210WHST
OVEMB3620NCS-SC2	3.6V 2000mAh Ni-Cd Battery - 3 x 1 Serial	OVEM10210WHST
OVEMB3630NCS	3.6V 3000mAh Ni-Cd Battery - Serial	OVEM3610WH OVEM3610WHST
OVEMB4835NCS	4.8V 3500mAh Ni-Cd Battery - Serial	OVEM7510 OVEM7510ST OVEM8510 OVEM8510ST

Accessories

WARRANTY  
**2**  
YEAR





Ernex Replacement Legends

WARRANTY



OVEMSP005D

Ernex LED Box Exit Sign Legend - Down



OVEMSP005L

Ernex LED Box Exit Sign Legend - Left



OVEMSP005R

Ernex LED Box Exit Sign Legend - Right



OVEMSP005U

Ernex LED Box Exit Sign Legend - Up



PRODUCT APPROVALS

BS EN ISO 7010



Calvex Replacement Legends

WARRANTY



OVEMSP006D

Calvex LED Box Exit Sign Legend - Down



OVEMSP006L

Calvex LED Box Exit Sign Legend - Left



OVEMSP006R

Calvex LED Box Exit Sign Legend - Right



OVEMSP006U

Calvex LED Box Exit Sign Legend - Up



PRODUCT APPROVALS

BS EN ISO 7010



Hanex & Vanex Replacement Legends

WARRANTY

4  
YEAR

OVEMSP007D

Hanex & Vanex LED Box Exit Sign Legend - Down



OVEMSP007L

Hanex & Vanex LED Box Exit Sign Legend - Left



OVEMSP007R

Hanex & Vanex LED Box Exit Sign Legend - Right



OVEMSP007U

Hanex & Vanex LED Box Exit Sign Legend - Up



PRODUCT APPROVALS

BS EN ISO 7010



Emergency Conversion Solution

AVAILABLE FINISHES

WARRANTY  
LI-ION  
5  
YEAR  
IP20



Pre-wired  
**flow**  
Connector

PRODUCT INFO

Wattage (W)	4
Voltage (AC)	220-240
Frequency (Hz)	50/60
Operating Temp (°C)	0 to +50

CODE

OEP4  
OEP4-ST

DESCRIPTION

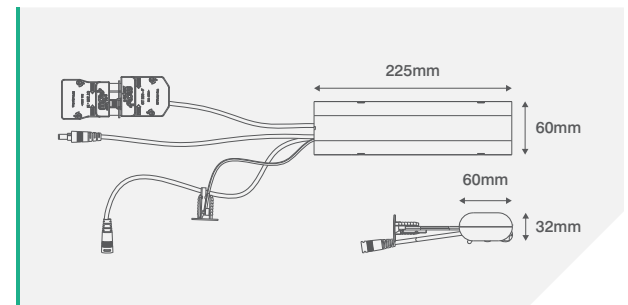
Emergency Conversion Solution For LED Panels  
Emergency Self-Test Conversion Solution For LED Panels

REPLACEMENT BATTERY

OEB6432L 6.4V 3200mAh Lithium (LiFePO4) Battery See page 452

COMPATIBLE PRODUCTS

OVIA LED panels & AluPanel (excluding 24W) fittings



PRODUCT APPROVALS

BS EN 61347-1; BS EN 61347-2-7; BS EN 55015; BS EN 61000-3-2; BS EN 61000-3-3; BS EN 61547

CT203C - 4 Pole Connector with Fast-Fit Cord Grip



EMERGENCY

EMERGENCY

Accessories

EMERGENCY

CODE	DESCRIPTION	AVAILABLE FINISHES
OVEMSP002	Wall Bracket For Exit Signs	WHITE




Suitable for OVEM4211, OVEM4211ST (Suspended Signs) & OVEM6211, OVEM6211ST (Wall/Ceiling Signs)

WARRANTY **1** YEAR

CODE	DESCRIPTION	WARRANTY
OVEMSP003	Emergency Bulkhead Replacement Legends	<b>1</b> YEAR




Suitable for Bulkheads, OVEM1311, OVEM1311ST and OVEM2311

CODE	DESCRIPTION	AVAILABLE FINISHES
OVEMSP004	Emergency Bulkhead Flush Mounting Kit	WHITE




370mm x135mm Cut-out

WARRANTY **1** YEAR

Suitable for Bulkheads, OVEM1311 & OVEM1311ST