

# INDUSTRIAL LIGHTING

# INDUSTRIAL LIGHTING

With efficiency and project management in mind Ovia's offering utilises some of the highest lumens per watt (Lm/W) currently available.

Our selection of Highbay lighting has been created to suit a variety of applications and are suitable for suspending from ceilings or wall mounting using the appropriate bracket available. The fittings are IP65 rated and built for purpose with an IK10 rating in order to withstand knocks and bumps from machinery & personnel.

Dimmable options are also available using (0)1-10V input to achieve the required light level. Microwave sensor options are available with a remote control to set bespoke settings. This provides energy saving and the option to create timed sequences allowing the light level to dim down and off as required.

All industrial products within the range are supported by generous warranties.



INCEPTOR® PRODUCTS TO LOOK OUT FOR IN THIS SECTION...



HI-LITE

Switch  Inceptor

# INCEPTOR<sup>®</sup> HI-LITE

## LED Dimmable Highbay

We have two versions of this fitting, a 0(1)-10V dimmable and a Microwave Sensor version. Both boast an IP65 and IK10 rating, IK10 is one of the highest degree of mechanical protection defined by BS EN 62262: 2002 standard.



IK10  
Rated  
Fitting



Dust Tight  
& Water  
Resistant



Energy Saving  
Sensor  
Activation

The Inceptor<sup>®</sup> Hi-Lite allows you to save energy with the built in sensor by activating lights only in areas that are occupied.

Microwave Sensor Version Available.



Colour  
Temperature  
Adjustable

The Inceptor<sup>®</sup> Hi-Lite has the ability to change the colour temperature between the below:

- 4000K - Cool White
- 5000K - Cool White
- 6500K - Daylight

CCT switch is located inside the IP65 threaded cap.



Food Safe

Supplied with a polycarbonate diffuser as standard making this an ideal lighting solution for food safe environments.

Chain Mountable Hook

Supplied as standard and not required as a separate accessory.



Mounting  
Bracket  
(sold separately)



50,000 Hour  
Lifetime



Dimmable



90°  
Beam Angle (°)

0(1)-10V Dimmable IP65 LED Highbay With CCT Switch



AVAILABLE FINISHES

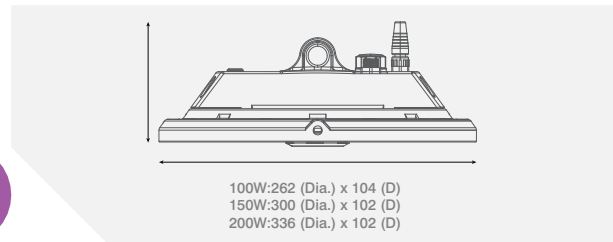


COLOUR TEMPERATURE



CODE	DESCRIPTION
OXHL100	100W Dimmable Highbay - Black
OXHL150	150W Dimmable Highbay - Black
OXHL200	200W Dimmable Highbay - Black

COMPATIBLE PRODUCTS		
OVWB108*	Bracket For Hi-Lite Highbay Fitting	See page 350
OXHLEP	5W 3 Hour Maintained IP65 Emergency Pack	See page 351
OEPCPL*	Highbay Emergency Pack Coupler Leads	See page 351
OVHBDACV	IP67 DALI To PWM Signal Converter	See page 348



Prewired with 3 metre flyleads

PRODUCT APPROVALS

BS EN 60598-1; BS EN IEC 60598-2-1; BS EN 55015; BS EN 61547; BS EN 61000-3-2; BS EN 61000-3-3; IESNA LM-80-15



0(1)-10V Dimmable IP65 LED Highbay With CCT Switch & Microwave Sensor

AVAILABLE FINISHES

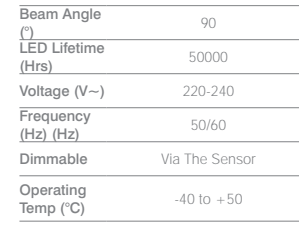


COLOUR TEMPERATURE



CODE	DESCRIPTION
OXHL100-M	100W Highbay With Microwave Sensor - Black
OXHL150-M	150W Highbay With Microwave Sensor - Black
OXHL200-M	200W Highbay With Microwave Sensor - Black

COMPATIBLE PRODUCTS		
OVWB108*	Bracket For Hi-Lite Highbay Fitting	See page 350
OXHLEP	5W 3 Hour Maintained IP65 Emergency Pack	See page 351
OEPCPL*	Highbay Emergency Pack Coupler Leads	See page 351
OVCGHBIRR	Remote Control For Highbay Fittings With Microwave Sensor	See page 350



Prewired with 3 metre flylead

PRODUCT APPROVALS

BS EN 60598-1; BS EN IEC 60598-2-1; BS EN 55015; BS EN 61547; BS EN 61000-3-2; BS EN 61000-3-3; IESNA LM-80-15



INDUSTRIAL

INDUSTRIAL



Inceptor Hi-Lite Highbay Accessories

WARRANTY  
**2**  
YEAR



AVAILABLE FINISHES



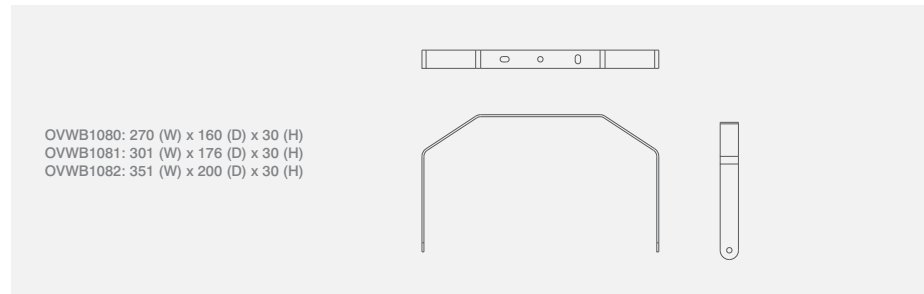
CODE	DESCRIPTION
OVCGBIRR	Microwave Sensor Remote Control 2 x AAA batteries required.



AVAILABLE FINISHES



CODE	DESCRIPTION
OVWB1080	Bracket For 100W Inceptor Hi-Lite Highbay Fitting
OVWB1081	Bracket For 150W Inceptor Hi-Lite Highbay Fitting
OVWB1082	Bracket For 200W Inceptor Hi-Lite Highbay Fitting



OVWB1080: 270 (W) x 160 (D) x 30 (H)  
OVWB1081: 301 (W) x 176 (D) x 30 (H)  
OVWB1082: 351 (W) x 200 (D) x 30 (H)

Suitable for wall or ceiling mounting

Inceptor® Hi-Lite Emergency Pack Coupler Leads

AVAILABLE FINISHES



WARRANTY  
**4**  
YEAR

**IP65**



CODE	DESCRIPTION	Enables the emergency pack to be located further from the highbay
OEPCLO5	Inceptor® Hi-Lite Coupler Lead - 0.5M	
OEPCL1	Inceptor® Hi-Lite Coupler Lead - 1.0M	

Inceptor® Hi-Lite Maintained Emergency Pack - IP65

AVAILABLE FINISHES



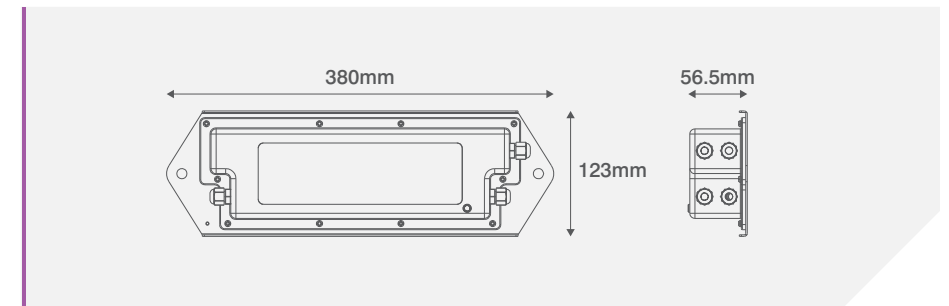
BATTERY WARRANTY  
**4**  
YEAR

**IP65**

WARRANTY  
**4**  
YEAR



PRODUCT INFO	CODE	DESCRIPTION
Circuit Wattage (W)	5	<b>OXHLEP</b> Inceptor® Hi-Lite 5W 3 Hour Emergency Pack – Black  Input & outputs prewired with 1 metre flyleads Distance between highbay and emergency can be extended using coupler leads (3 Metre Max.)
Voltage (AC)	220-240	
Frequency (Hz) (Hz)	50/60	
Operating Temp (°C)	0 to +40	



PRODUCT APPROVALS

BS EN 61347-1 BS EN 61347-2-7 BS EN 55015 BS EN 61547 BS EN 61000-3-2 BS EN 61000-3-3



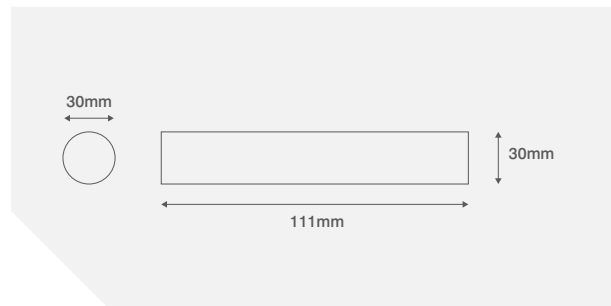


Highbay Accessories

AVAILABLE FINISHES



CODE	DESCRIPTION	PRODUCT INFO						
OVHBDACV	IP67 DALI Signal Converter	<table border="1"> <tr> <td>Input Voltage (V~) (V DC)</td> <td>10 - 22.5</td> </tr> <tr> <td>Input Current (mA)</td> <td>&lt;6 (not during transforming)</td> </tr> <tr> <td>Operating Temp (°C)</td> <td>-30 to +60</td> </tr> </table>	Input Voltage (V~) (V DC)	10 - 22.5	Input Current (mA)	<6 (not during transforming)	Operating Temp (°C)	-30 to +60
Input Voltage (V~) (V DC)	10 - 22.5							
Input Current (mA)	<6 (not during transforming)							
Operating Temp (°C)	-30 to +60							



DALI to PWM (1-10V) Converter

PRODUCT APPROVALS

BS EN 62386-101 BS EN 62386-102 BS EN 62386-103 BS EN 62386-207 BS EN 55015



# DALI

## Signal Converter

Ideal for a variety of lighting applications the high performance, reliable non isolated signal converter is compatible with PWM dimmable drivers. One converter can control one LED driver with strong output PWM signal and it has a dimming range of 10%-100% (dim to off).

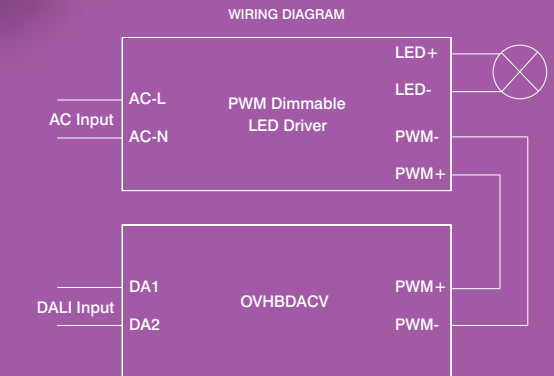


Twist Torque of 2.8-3.7Nm

Telescopic Waterproof Silicone Ring

Nut

PWM Dimmable LED Driver



Dali Dimming