



CONTROL



CONTROL

Achieving optimum lighting levels is a key consideration for any project involving lighting along with energy efficiency, cost effectiveness and the well being of any occupants.

Ovia® offer domestic, commercial and industrial solutions ideally suited for all modern-day lighting applications, which work seamlessly with new and existing lighting.

Designed to help improve security, save energy and money, our range of sensors will automate lighting with the help of linked microwave sensor installations.



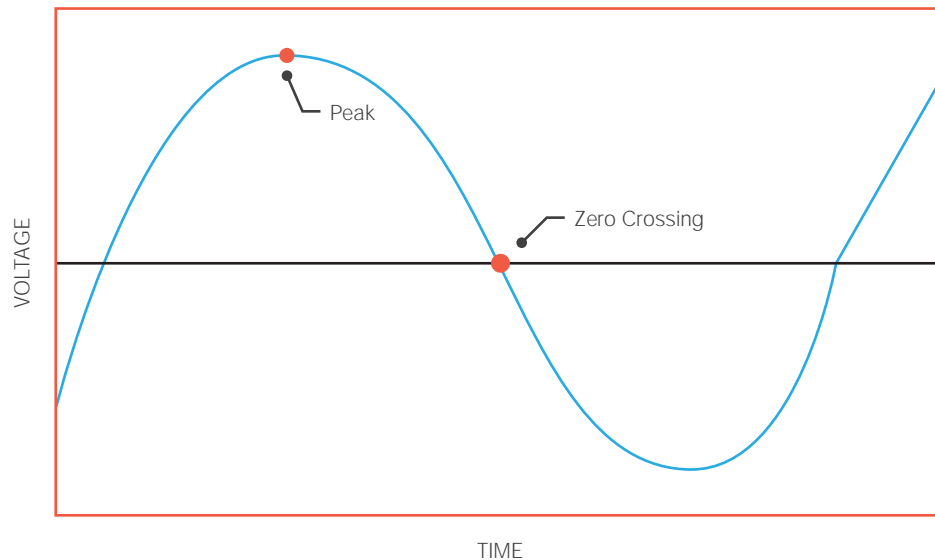
ZERO CROSS TECHNOLOGY

Minimise the effects of high inrush currents using Zero Cross Technology, found in our range of Control Sensors.

How it works?

Zero Crossing refers to the relay switching technology designed into switching relays to assist in managing the high inrush current emitted by LED's, reducing the impact on the switching contacts whilst prolonging the lifespan of the switch or sensor.

Generally when an AC (alternating current) load is switched on, it turns on near the 'Peak' of the AC cycle. Zero Cross Technology has been designed to trigger the load switching when the AC voltage passes the zero mark thus minimising the effects of high inrush currents.

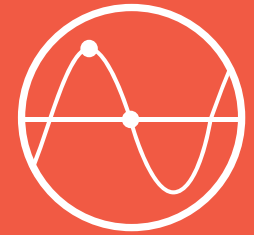


High Inrush Current

Today's modern LED light source offers a host of features and benefits with energy saving being the major factor. The implications when installing an LED light source is the high inrush current on start-up, especially with LED outputs and inrush currents increasing as technology improves.

The high inrush current can have a detrimental effect on any in-line control (switch, PIR, microwave sensor etc.) with inrush currents being as high as 100 times the recommended operating level, e.g. a 20W LED fitting could have an inrush current equivalent to 2000W. If the Load Rating (W) of the in-line control is incorrect could lead to it eventually breaking down over time with a replacement product then required, increasing maintenance costs.

WHAT TO LOOK OUT FOR...



A comprehensive range of PIR and Microwave sensors featuring Zero Cross Technology.

OVPIR008WH

- 360° Recessed Flush PIR
- 5 Year Warranty
 - Infrared Sensor
 - Indoor Use
 - Zero Cross Technology
 - Time and Lux Adjustable



OVPIR007WH

- 360° Low Profile Surface PIR
- 5 Year Warranty
 - Infrared Sensor
 - Indoor Use
 - Zero Cross Technology
 - Time and Lux Adjustable



OVPIR009WH

- 360° Recessed Flush PIR With Override
- 5 Year Warranty
 - Infrared Sensor
 - Indoor Use
 - Zero Cross Technology
 - Time and Lux Adjustable



OVPIR003WH / BK

- 180° Rotatable IP44 PIR - White
- 5 Year Warranty
 - IP44 Rated
 - Infrared Sensor
 - Zero Cross Technology
 - Time and Lux Adjustable



OVMS001WH

- 360° Low Profile Surface Microwave Sensor
- 5 Year Warranty
 - Microwave Sensor
 - Indoor Use
 - Zero Cross Technology
 - Range, time and Lux Adjustable



OVPIR004WH / BK

- 180° Multi-Directional IP65 PIR - White
- 5 Year Warranty
 - IP65 Rated
 - Infrared Sensor
 - Zero Cross Technology
 - Time and Lux Adjustable



OVMS002WHD

- 360° 1-10V Dimmable IP65 Microwave Sensor
- 5 Year Warranty
 - IP65 Rated
 - Microwave Sensor
 - Zero Cross Technology
 - Range, Time and Lux Adjustable



OVPIR010WH

- 360° Luminaire Mountable IP65 PIR
- 5 Year Warranty
 - IP65 Rated
 - Infrared Sensor
 - Zero Cross Technology
 - Range, Time and Lux Adjustable



OVPIR005WH / BK

- 360° Compact IP44 PIR - White
- 5 Year Warranty
 - IP44 Rated
 - Infrared Sensor
 - Zero Cross Technology
 - Time and Lux Adjustable



OVPIR011WHD

- 360° Luminaire Mountable 1-10V Dimmable IP65 PIR With Remote
- 5 Year Warranty
 - IP65 Rated
 - Zero Cross Technology
 - Range, Time and Lux Adjustable



OVPIR006WH / BK

- 360° Surface IP44 PIR
- 5 Year Warranty
 - IP44 Rated
 - Infrared Sensor
 - Zero Cross Technology
 - Time and Lux Adjustable



Recessed Flush Passive Infrared Sensor

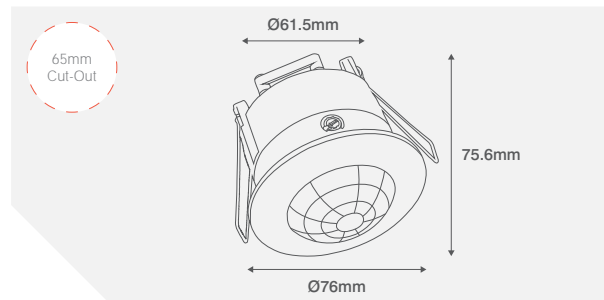


AVAILABLE FINISHES



CODE	DESCRIPTION
OVPIR008WH	360° Recessed Flush PIR

PRODUCT INFO	
Voltage	220-240
Frequency (Hz)	50/60
Operating Temp (°)	-20 to +40
Load Rating (W)	300 (LED) 1200 (Incan.)
Detection Angle (°)	360
Detection Range	Ø6m at 4m
Adjustable Time	10 (Sec) to 15 (Mins)
Daylight Sensitivity (Lux)	3 to 2000
IP Rating	IP20



Zero Cross Technology

PRODUCT APPROVALS

BS EN 60669-1 BS EN 60669-2-1 BS EN 61547 BS EN 55015 BS EN 61000-3-2 BS EN 61000-3-3



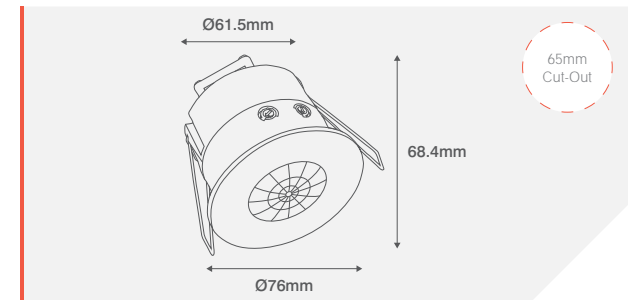
Recessed Flush Passive Infrared Sensor

AVAILABLE FINISHES



PRODUCT INFO	
Voltage	220-240
Frequency (Hz)	50/60
Operating Temp (°)	-20 to +40
Load Rating (W)	600 (LED) 1200 (Incan.)
Detection Angle (°)	360
Detection Range	Ø8m at 4m
Adjustable Time	10 (Sec) to 15 (Mins)
Daylight Sensitivity (Lux)	3 to 2000
IP Rating	IP20

CODE	DESCRIPTION
OVPIR009WH	360° Recessed Flush PIR With Override



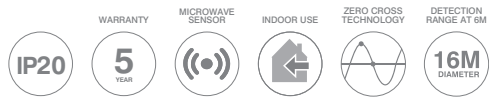
PRODUCT APPROVALS

Zero Cross Technology

BS EN 60669-1 BS EN 60669-2-1 BS EN 61547 BS EN 55015 BS EN 61000-3-2 BS EN 61000-3-3



Surface Mounted Microwave Sensor

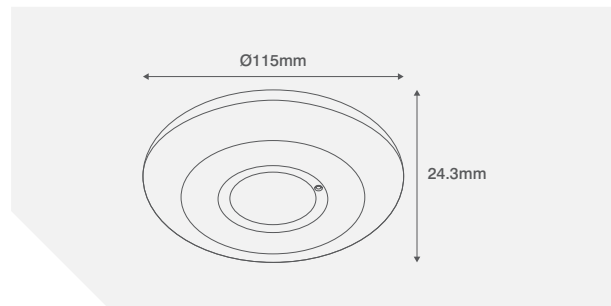


AVAILABLE FINISHES



CODE	DESCRIPTION
OVMS001WH	360° Low Profile Surface Microwave Sensor

PRODUCT INFO	
Voltage	220-240
Frequency (Hz)	50/60
Operating Temp (°)	-20 to +40
Load Rating (W)	1000 (LED) 2000 (Incan.)
Detection Angle (°)	360
Detection Range (M)	Ø16m at 6m
Adjustable Time	10 (Sec) to 12 (Mins)
Daylight Sensitivity (Lux)	3 to 2000
Sensitivity	4 - 16 Metre Diameter
IP Rating	IP20



Zero Cross Technology

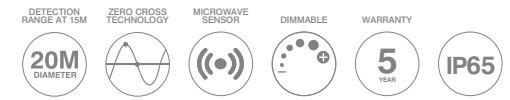
PRODUCT APPROVALS

BS EN 60669-1 BS EN 60669-2-1 BS EN 61547 BS EN 55015 BS EN 61000-3-2 BS EN 61000-3-3



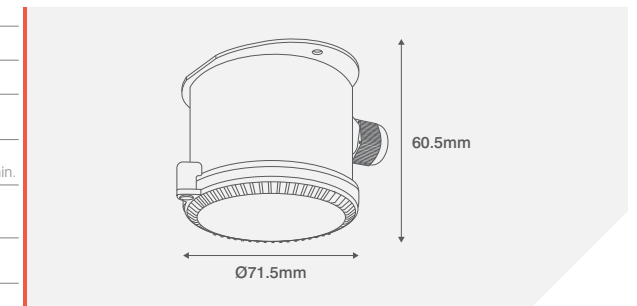
Surface Mounted Microwave Sensor

AVAILABLE FINISHES



PRODUCT INFO	
Voltage	220-240
Frequency (Hz)	50/60
Dimmable	1-10V
Operating Temp (°)	-20 to +40
Load Rating (W)	1000 (LED) 2000(Incan.)
Detection Angle (°)	360
Detection Range	Ø20m at 15m
Adjustable Range (%)	50, 100
Stand-by Period	5s, 30s, 90s, 3min., 5min., 10min., 20min. & 30min.
Stand-by Dimmed Level (%)	10, 20, 30, 50
Daylight Sensitivity (Lux)	2, 10, 50, 2000
IP Rating	IP65

CODE	DESCRIPTION
OVMS002WHD	360° 1-10V Dimmable IP65 Microwave Sensor



PRODUCT APPROVALS

Zero Cross Technology

BS EN 61058-1 BS EN 61547 BS EN 55015 BS EN 61000-3-2 BS EN 61000-3-3



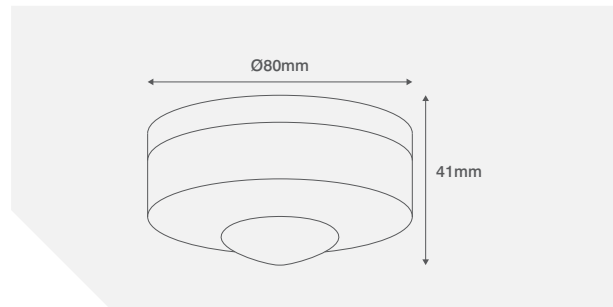
Surface Mounted Passive Infrared Sensor



AVAILABLE FINISHES



CODE	DESCRIPTION
OVPIR005WH	360° Compact IP44 PIR - White
OVPIR005BK	360° Compact IP44 PIR - Black



PRODUCT INFO	
Voltage	220-240
Frequency (Hz)	50/60
Operating Temp (°)	-20 to +40
Load Rating (W)	300 (LED) 1200 (Incan.)
Detection Angle (°)	360
Detection Range	Ø6m at 4m
Adjustable Time	10 (Sec) to 15 (Mins)
Daylight Sensitivity (Lux)	3 to 2000
IP Rating	IP44

Zero Cross Technology

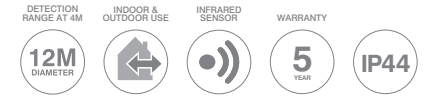
PRODUCT APPROVALS

BS EN 60669-1 BS EN 60669-2-1 BS EN 61547 BS EN 55015 BS EN 61000-3-2 BS EN 61000-3-3



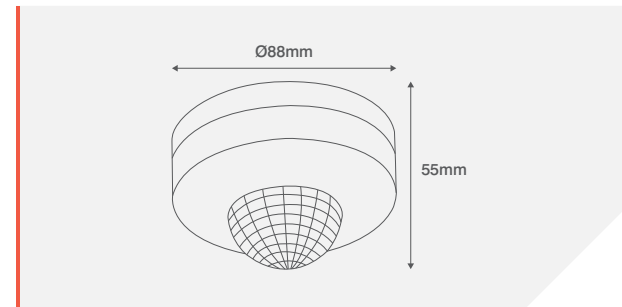
Surface Mounted Passive Infrared Sensor

AVAILABLE FINISHES



PRODUCT INFO	
Voltage	220-240
Frequency (Hz)	50/60
Operating Temp (°)	-20 to +40
Load Rating (W)	300 (LED) 1200 (Incan.)
Detection Angle (°)	360
Detection Range	Ø12m at 4m
Adjustable Time	10 (Sec) to 15 (Mins)
Daylight Sensitivity (Lux)	3 to 2000
IP Rating	IP44

CODE	DESCRIPTION
OVPIR006WH	360° Surface IP44 PIR - White
OVPIR006BK	360° Surface IP44 PIR - Black



PRODUCT APPROVALS

Zero Cross Technology

BS EN 61058-1 BS EN 61547 BS EN 55015 BS EN 61000-3-2 BS EN 61000-3-3



Surface Mounted Passive Infrared Sensor

CONTROLS

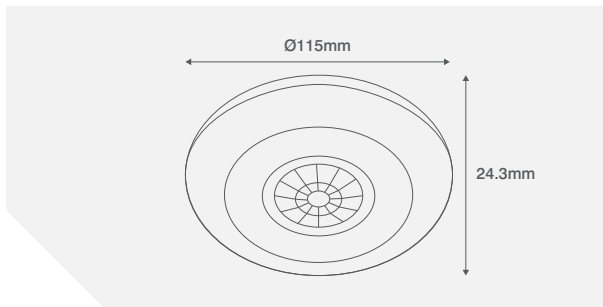
IP20
WARRANTY 5 YEAR
INFRARED SENSOR
INDOOR USE
ZERO CROSS TECHNOLOGY
DETECTION RANGE AT 4M 8M DIAMETER

AVAILABLE FINISHES



CODE	DESCRIPTION
OVPIR007WH	360° Low Profile Surface PIR

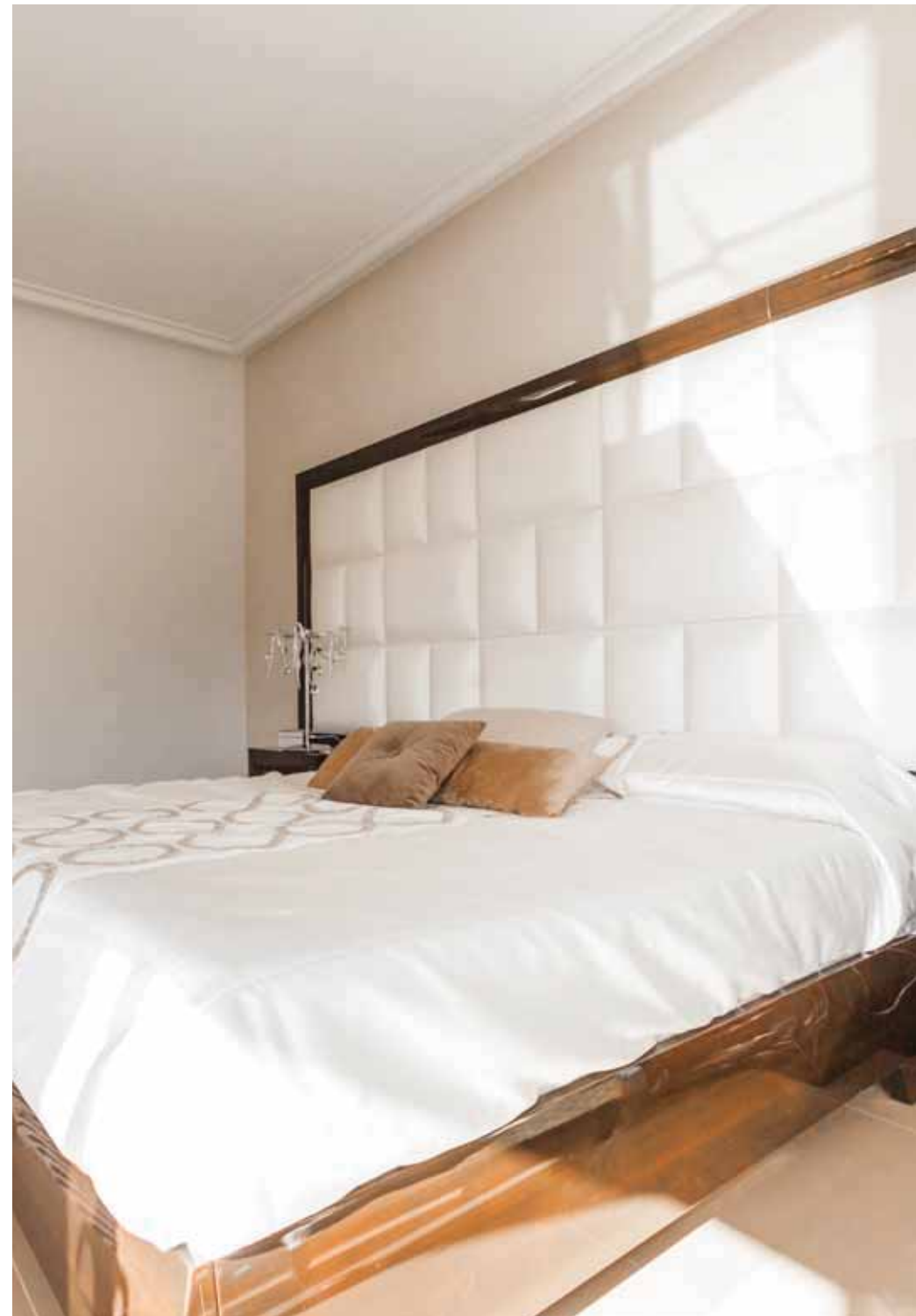
PRODUCT INFO	
Voltage	220-240
Frequency (Hz)	50/60
Operating Temp (°)	-20 to +40
Load Rating (W)	1000 (LED) 2000 (Incan.)
Detection Angle (°)	360
Detection Range	Ø8m at 4m
Adjustable Time	10 (Sec) to 15 (Mins)
Daylight Sensitivity (Lux)	3 to 2000
IP Rating	IP20



Zero Cross Technology

PRODUCT APPROVALS

BS EN 60669-1 BS EN 60669-2-1 BS EN 61547 BS EN 55015 BS EN 61000-3-2 BS EN 61000-3-3



Wall Mounted Passive Infrared Sensor

WARRANTY **3** YEAR

INFRARED SENSOR

INDOOR & OUTDOOR USE

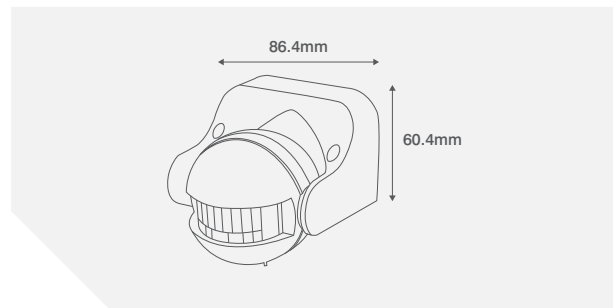
DETECTION RANGE **UP TO 12M**

IP44

AVAILABLE FINISHES



CODE	DESCRIPTION
OVPIR001WH	180° Tilttable IP44 PIR - White
OVPIR001BK	180° Tilttable IP44 PIR - Black



PRODUCT INFO	
Voltage	220-240
Frequency (Hz)	50/60
Operating Temp (°)	-20 to +40
Load Rating (W)	300 (LED) 1200 (Incan.)
Detection Angle (°)	180
Detection Range	Upto 12m Max.
Adjustable Time	10 (Sec) to 7 (Mins)
Daylight Sensitivity (Lux)	3 to 2000
IP Rating	IP44

PRODUCT APPROVALS

BS EN 60669-1 BS EN 60669-2-1 BS EN 61058-1 BS EN 61547 BS EN 55015 BS EN 61000-3-2 BS EN 61000-3-3



Wall Mounted Passive Infrared Sensor

AVAILABLE FINISHES



DETECTION RANGE **5-12M**

INDOOR & OUTDOOR USE

INFRARED SENSOR

WARRANTY **3** YEAR

IP44

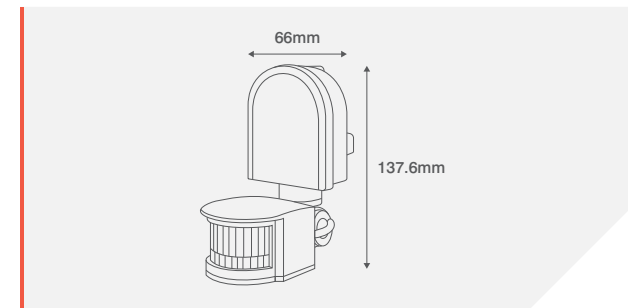


PRODUCT INFO	
Voltage	220-240
Frequency (Hz)	50/60
Operating Temp (°)	-20 to +40
Load Rating (W)	300 (LED) 1200 (Incan.)
Detection Angle (°)	180
Detection Range	5m to 12m
Adjustable Time	10 (Sec) to 7 (Mins)
Daylight Sensitivity (Lux)	3 to 2000
IP Rating	IP44

PRODUCT APPROVALS

BS EN 61058-1 BS EN 61547 BS EN 55015 BS EN 61000-3-2 BS EN 61000-3-3

CODE	DESCRIPTION
OVPIR002WH	180° Multi-Directional IP44 PIR - White
OVPIR002BK	180° Multi-Directional IP44 PIR - Black



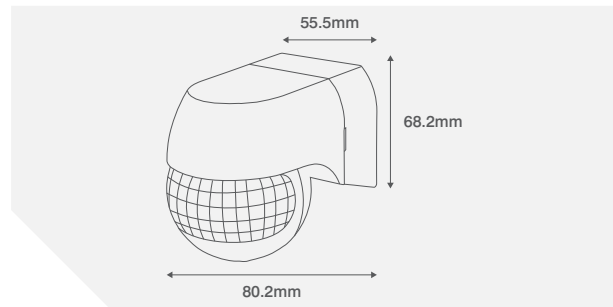
Wall Mounted Passive Infrared Sensor



AVAILABLE FINISHES



CODE	DESCRIPTION
OVPIR003WH	180° Rotatable IP44 PIR - White
OVPIR003BK	180° Rotatable IP44 PIR - Black



PRODUCT INFO	
Voltage	220-240
Frequency (Hz)	50/60
Operating Temp (°)	-20 to +40
Load Rating (W)	400 (LED) 800 (Incan.)
Detection Angle (°)	180
Detection Range	Upto 12m Max.
Adjustable Time	10 (Sec) to 15 (Mins)
Daylight Sensitivity (Lux)	3 to 2000
IP Rating	IP44

Zero Cross Technology

PRODUCT APPROVALS

BS EN 60669-1 BS EN 60669-2-1 BS EN 61058-1 BS EN 61547 BS EN 55015 BS EN 61000-3-2 BS EN 61000-3-3



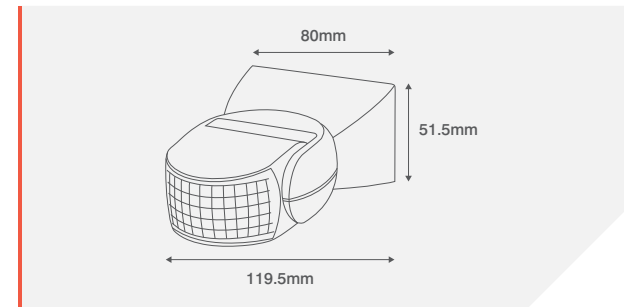
Wall Mounted Passive Infrared Sensor

AVAILABLE FINISHES



PRODUCT INFO	
Voltage	220-240
Frequency (Hz)	50/60
Operating Temp (°)	-20 to +40
Load Rating (W)	300 (LED) 1200 (Incan.)
Detection Angle (°)	180
Detection Range	Upto 12m Max.
Adjustable Time	10 (Sec) to 15 (Mins)
Daylight Sensitivity (Lux)	3 to 2000
IP Rating	IP65

CODE	DESCRIPTION
OVPIR004WH	180° Multi-Directional IP65 PIR - White
OVPIR004BK	180° Multi-Directional IP65 PIR - Black



PRODUCT APPROVALS

Zero Cross Technology

BS EN 60669-1 BS EN 60669-2-1 BS EN 61547 BS EN 55015 BS EN 61000-3-2 BS EN 61000-3-3



Luminaire Mounted Passive Infrared Sensor

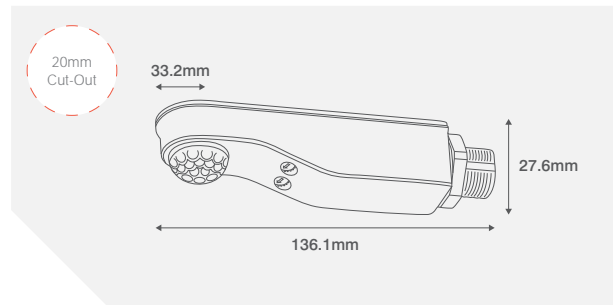


AVAILABLE FINISHES



CODE	DESCRIPTION
OVPIRO10WH	360° Luminaire Mountable IP65 PIR

PRODUCT INFO	
Voltage	220-240
Frequency (Hz)	50/60
Operating Temp (°)	-20 to +40
Load Rating (W)	500 (LED) 1200(Incan.)
Detection Angle (°)	360
Detection Range	Ø10m at 6m
Adjustable Time	10 (Sec) to 30 (Mins)
Daylight Sensitivity (Lux)	3 to 2000
IP Rating	IP65



Zero Cross Technology

PRODUCT APPROVALS

BS EN 61058-1 BS EN 61547 BS EN 55015 BS EN 61000-3-2 BS EN 61000-3-3



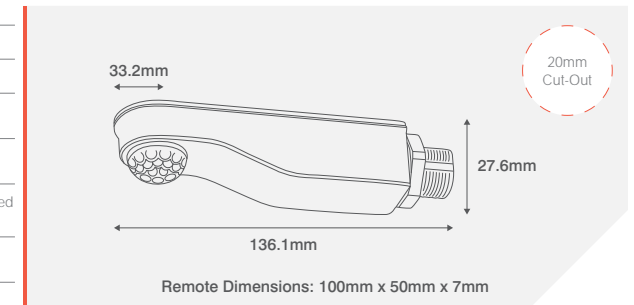
Luminaire Mounted Passive Infrared Sensor

AVAILABLE FINISHES



PRODUCT INFO	
Voltage	220-240
Frequency (Hz)	50/60
Dimmable	1-10V
Operating Temp (°)	-20 to +40
Load Rating (W)	500 (LED) 1200 (Incan.)
Detection Angle (°)	360
Detection Range	Ø10m at 6m
Adjustable Range (%)	50, 75, 100
Stand-by Period	10s, 1min., 3min., 7min., 15min. & 30min.
Stand-by Dimmed Level (%)	OFF, 10, 20, 30 (OFF disabled dimming period)
Daylight Sensitivity (Lux)	10, 50, 150, 2000
IP Rating	IP65

CODE	DESCRIPTION
OVPIRO11WHD	360° Luminaire Mountable 1-10V Dimmable IP65 PIR With Remote



PRODUCT APPROVALS

Zero Cross Technology

BS EN 61058-1 BS EN 61547 BS EN 55015 BS EN 61000-3-2 BS EN 61000-3-3





Wall Mounted Photocell

AVAILABLE FINISHES



PRODUCT INFO

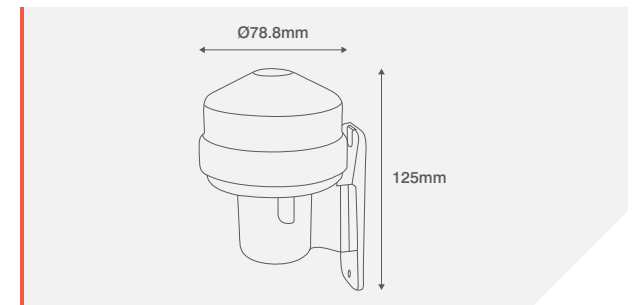
Voltage	220-240
Frequency (Hz)	50/60
Operating Temp (°)	-20 to +40
Load Rating (W)	300 (LED) 1200(Incan.)
Detection Angle (°)	360
Lux Level	5-15 (Not Adjustable)
IP Rating	IP44

CODE

OVPC001BK

DESCRIPTION

IP44 Photocell



PRODUCT APPROVALS

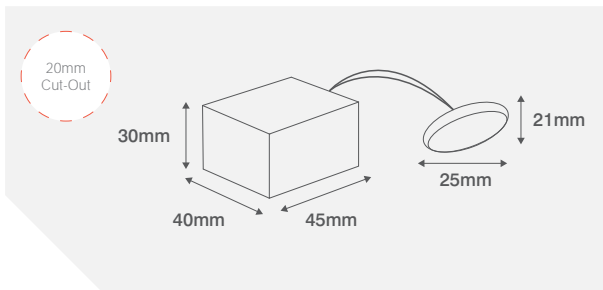
BS EN 61058-1 BS EN 61547 BS EN 55015 BS EN 61000-3-2 BS EN 61000-3-3



Luminaire Mounted Photocell



CODE	DESCRIPTION	PRODUCT INFO												
OVP002	IP65 Remote Photocell	<table border="1"> <tr> <td>Voltage</td> <td>220-240</td> </tr> <tr> <td>Frequency (Hz)</td> <td>50/60</td> </tr> <tr> <td>Operating Temp (°)</td> <td>-40 to +70</td> </tr> <tr> <td>Load Rating (W)</td> <td>400</td> </tr> <tr> <td>Lux Level</td> <td>70 (automatic dusk/dawn)</td> </tr> <tr> <td>IP Rating</td> <td>IP65</td> </tr> </table>	Voltage	220-240	Frequency (Hz)	50/60	Operating Temp (°)	-40 to +70	Load Rating (W)	400	Lux Level	70 (automatic dusk/dawn)	IP Rating	IP65
Voltage	220-240													
Frequency (Hz)	50/60													
Operating Temp (°)	-40 to +70													
Load Rating (W)	400													
Lux Level	70 (automatic dusk/dawn)													
IP Rating	IP65													



PRODUCT APPROVALS

BS EN 61058-1 BS EN 61547 BS EN 55015 BS EN 61000-3-2 BS EN 61000-3-3

