



# AMENITY LIGHTING



# AMENITY LIGHTING

Safety and security were the main consideration for the creation of the Amenity range of lighting products with an emphasis on the aesthetics of the product portfolio. The range covers many applications, ranging from LED star lights through to external bollards and wall lights.



# AMENITY

## Wall Lights

A selection of our new wall lights are available in standard and PIR versions for automatic activation.

## Ground Lights

A large selection of bollards to suit any application and the addition of a new spike light, ideal for adding ambience to your outdoor space.



### 11W IP65 Up & Down LED Wall Fittings

#### AVAILABLE FINISHES



#### COLOUR TEMPERATURE



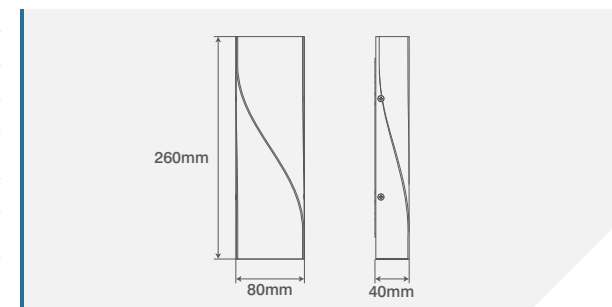
#### PRODUCT INFO

CCT (K)	3000	4000
Lumens (Lm)	2 x 350lm	
Efficacy (Lm/W)	63	
Wattage (W)	2 x 5.5 (11)	
CRI	>80	
Beam Angle (°)	60 (Top & Bottom)	
LED Lifetime (Hrs)	50000	
Voltage (AC)	220-240	
Frequency (Hz)	50/60	
Dimmable	No	
Operating Temp (°C)	-20 to +50	

#### CODE

#### DESCRIPTION

OV2002W11GY	11W Up & Down LED Wall Fitting - IP65 - 3000K - Grey
OV2002C11GY	11W Up & Down LED Wall Fitting - IP65 - 4000K - Grey



#### PRODUCT APPROVALS

BS EN 60598-1; BS EN IEC 60598-2-1; BS EN 62471; BS EN 61058-1; BS EN 61347-1; BS EN 61347-2-7; BS EN 62493; BS EN 55015; BS EN 61547; BS EN 61000-3-2 & BS EN 61000-3-3



6W IP54 Cylindrical Up or Down LED Wall Fittings



AVAILABLE FINISHES

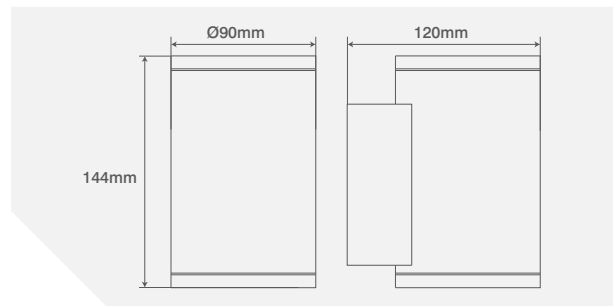


COLOUR TEMPERATURE



CODE	DESCRIPTION
OV2028W6BK	6W Up or Down LED Wall Fitting - IP54 - 3000K - Black
OV2028C6BK	6W Up or Down LED Wall Fitting - IP54 - 4000K - Black
OV2028W6GY	6W Up or Down LED Wall Fitting - IP54 - 4000K - Grey
OV2028C6GY	6W Up or Down LED Wall Fitting - IP54 - 3000K - Grey

PRODUCT INFO	
CCT (K)	3000 4000
Lumens (Lm)	515
Efficacy (Lm/W)	86
Wattage (W)	6
CRI	>80
Beam Angle (°)	60
LED Lifetime (Hrs)	50000
Voltage (AC)	220-240
Frequency (Hz)	50/60
Dimmable	No
Operating Temp (°C)	-20 to +40



PRODUCT APPROVALS

BS EN 60598-1; BS EN 60598-2-2; BS EN 55015; BS EN 62471; BS EN 62493; BS EN 61000-3-2; BS EN 61000-3-3; BS EN 61547



12W IP54 Cylindrical Up & Down LED Wall Fittings

AVAILABLE FINISHES

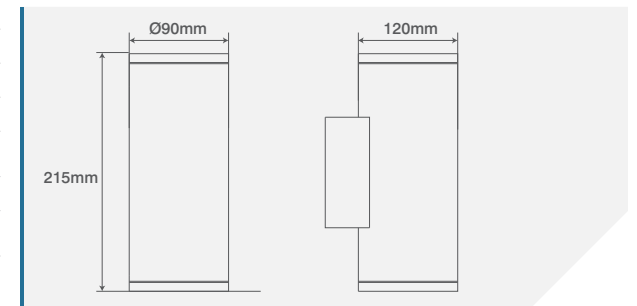


COLOUR TEMPERATURE



PRODUCT INFO	
CCT (K)	4000 3000
Lumens (Lm)	2 x 436 (872)
Efficacy (Lm/W)	73
Wattage (W)	2 x 6 (12)
CRI	>80
Beam Angle (°)	60 (Top & Bottom)
LED Lifetime (Hrs)	50000
Voltage (AC)	220-240
Frequency (Hz)	50/60
Dimmable	No
Operating Temp (°C)	-20 to +40

CODE	DESCRIPTION
OV2022W6BK	12W Up & Down LED Wall Fitting - IP54 - 4000K - Black
OV2022C6BK	12W Up & Down LED Wall Fitting - IP54 - 3000K - Black
OV2022W6GY	12W Up & Down LED Wall Fitting - IP54 - 4000K - Grey
OV2022C6GY	12W Up & Down LED Wall Fitting - IP54 - 3000K - Grey



PRODUCT APPROVALS

BS EN 60598-1; BS EN 60598-2-2; BS EN 55015; BS EN 62471; BS EN 62493; BS EN 61000-3-2; BS EN 61000-3-3; BS EN 61547



AMENITY

AMENITY

IP54 Boxed Wall Fittings - 15W Max. E27

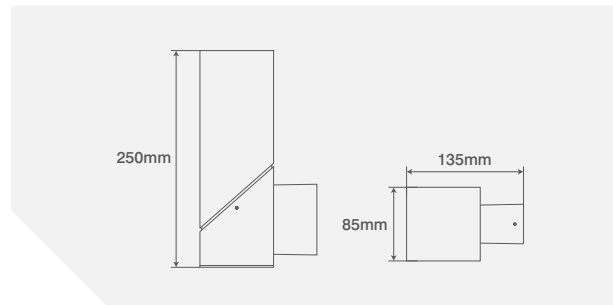
WARRANTY **3** YEAR  
 LAMP TYPE **E27** NOT SUPPLIED  
**IP54**

AVAILABLE FINISHES



CODE	DESCRIPTION
OV205127GY	E27 Boxed Wall Fitting - Grey

PRODUCT INFO	
Wattage (W)	15
Voltage (AC)	220-240
Lampholder Type	E27 / ES
Lamp Quantity	1



With clear lens

PRODUCT APPROVALS

BS EN 60598-1; BS EN IEC 60598-2-1; BS EN 62471; BS EN 61058-1; BS EN 61347-1; BS EN 61347-2-7; BS EN 62493; BS EN 55015; BS EN 61547; BS EN 61000-3-2 & BS EN 61000-3-3



IP44 Boxed Wall Fittings With PIR - 15W Max. E27

AVAILABLE FINISHES

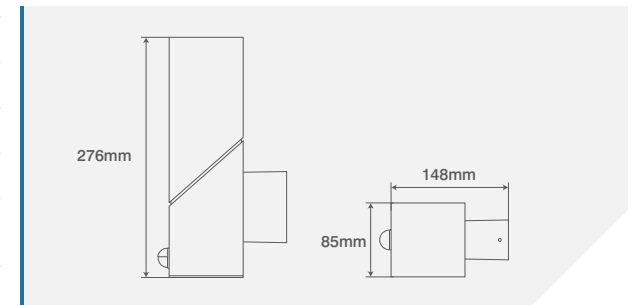


LAMP TYPE **E27** NOT SUPPLIED  
 PIR **((•))**  
 WARRANTY **3** YEAR  
**IP44**



PRODUCT INFO	
Wattage (W)	15
Voltage (AC)	220-240
Dimmable	No
Lampholder Type	E27 / ES
Lamp Quantity	1
Installation Height (M)	1.5 - 2
Detection Angle (°)	110
Detection Distance (M)	10
Time Delay	10 Secs to 5 Mins
Lux Level	2 to 2000

CODE	DESCRIPTION
OV205127GYPIR	E27 Boxed Wall Fitting With PIR - Grey



With clear lens | PIR offers override facility

PRODUCT APPROVALS

BS EN 60598-1; BS EN IEC 60598-2-1; BS EN 62471; BS EN 61058-1; BS EN 61347-1; BS EN 61347-2-7; BS EN 62493; BS EN 55015; BS EN 61547; BS EN 61000-3-2 & BS EN 61000-3-3



AMENITY

AMENITY

7W IP54 Boxed LED Wall Fittings



AVAILABLE FINISHES

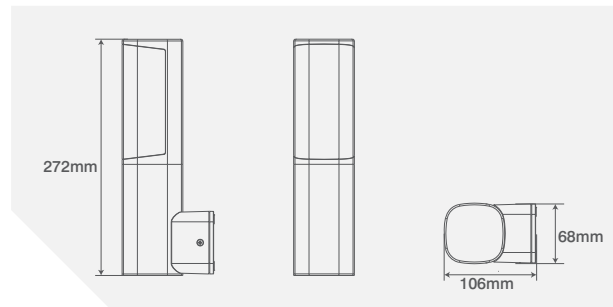


COLOUR TEMPERATURE



CODE	DESCRIPTION
OV2053W7GY	7W Boxed LED Wall Fitting With Opal Lens - IP54 - 3000K - Grey
OV2053C7GY	7W Boxed LED Wall Fitting With Opal Lens - IP54 - 4000K - Grey

PRODUCT INFO		
CCT (K)	3000	4000
Lumens (Lm)	360	
Efficacy (Lm/W)	51	
Wattage (W)	7	
CRI	>80	
Beam Angle (°)	150	
LED Lifetime (Hrs)	50000	
Voltage (AC)	220-240	
Frequency (Hz)	50/60	
Dimmable	No	
Operating Temp (°C)	-20 to +50	



With opal lens

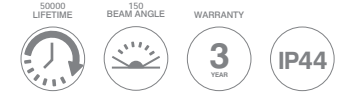
PRODUCT APPROVALS

BS EN 60598-1; BS EN IEC 60598-2-1; BS EN 62471; BS EN 61058-1; BS EN 61347-1; BS EN 62493; BS EN 55015; BS EN 61547; BS EN 61000-3-2; BS EN 61000-3-3



7W IP44 Boxed LED Wall Fittings With PIR

AVAILABLE FINISHES

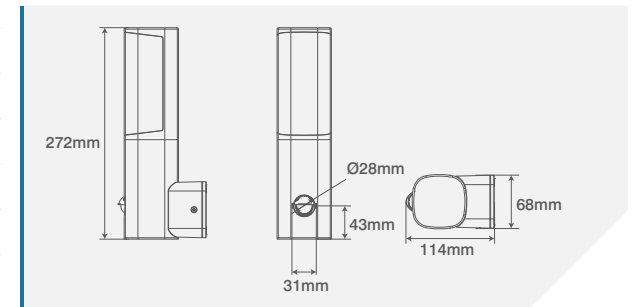


COLOUR TEMPERATURE



PRODUCT INFO		
CCT (K)	3000	4000
Lumens (Lm)	370	
Efficacy (Lm/W)	53	
Wattage (W)	7	
CRI	>80	
Beam Angle (°)	150	
LED Lifetime (Hrs)	50000	
Voltage (AC)	220-240	
Frequency (Hz)	50/60	
Dimmable	No	
Operating Temp (°C)	-20 to +50	
Installation Height (M)	1.5 - 2	
Detection Angle (°)	110	
Detection Distance (M)	10	
Time Delay	10 Secs to 5 Mins	
Lux Level	2 to 2000	

CODE	DESCRIPTION
OV2053W7GYPIR	7W Boxed LED Wall Fitting With Opal Lens & PIR - IP44 - 3000K - Grey
OV2053C7GYPIR	7W Boxed LED Wall Fitting With Opal Lens & PIR - IP44 - 4000K - Grey



With opal lens |

PRODUCT APPROVALS

BS EN 60598-1; BS EN IEC 60598-2-1; BS EN 62471; BS EN 61058-1; BS EN 61347-1; BS EN 62493; BS EN 55015; BS EN 61547; BS EN 61000-3-2; BS EN 61000-3-3



IP54 Circular Wall Lantern - E27 15W Max.

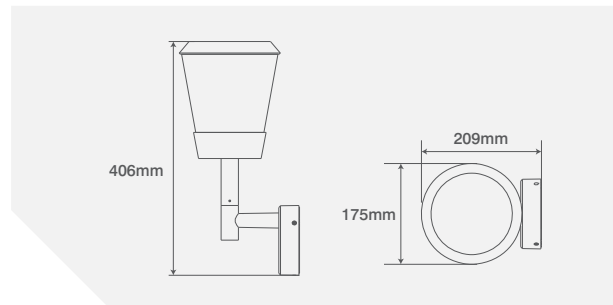
WARRANTY 3 YEAR  
LAMP TYPE E27 NOT SUPPLIED  
IP54

AVAILABLE FINISHES



CODE	DESCRIPTION
OV209127GY	E27 Circular Wall Lantern - Grey

PRODUCT INFO	
Wattage (W)	15
Voltage (AC)	220-240
Lampholder Type	E27 / ES
Lamp Quantity	1



With clear lens

PRODUCT APPROVALS

BS EN 60598-1; BS EN IEC 60598-2-1; BS EN 62471; BS EN 61058-1; BS EN 61347-1; BS EN 61347-2-7; BS EN 62493; BS EN 55015; BS EN 61547; BS EN 61000-3-2 & BS EN 61000-3-3



IP44 Circular Wall Lantern With PIR - E27 15W Max.

AVAILABLE FINISHES

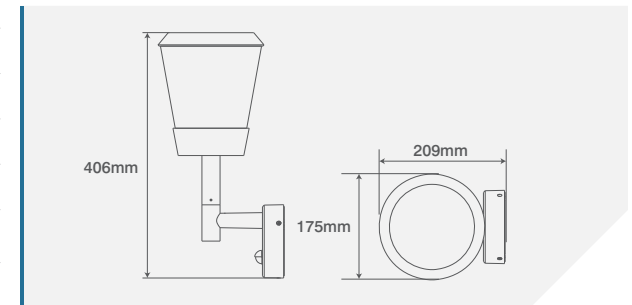


LAMP TYPE E27 NOT SUPPLIED  
PIR ((•))  
WARRANTY 3 YEAR  
IP44



PRODUCT INFO	
Wattage (W)	15
Voltage (AC)	220-240
Dimmable	No
Lampholder Type	E27 / ES
Lamp Quantity	1
Installation Height (M)	1.5 - 2
Detection Angle (°)	110
Detection Distance (M)	10
Time Delay	10 Secs to 5 Mins
Lux Level	2 to 2000

CODE	DESCRIPTION
OV209127GYPIR	E27 Circular Wall Lantern With PIR - Grey



With clear lens

PRODUCT APPROVALS

BS EN 60598-1; BS EN IEC 60598-2-1; BS EN 62471; BS EN 61058-1; BS EN 61347-1; BS EN 61347-2-7; BS EN 62493; BS EN 55015; BS EN 61547; BS EN 61000-3-2 & BS EN 61000-3-3



7W IP54 Square Up & Down LED Wall Fittings



AVAILABLE FINISHES

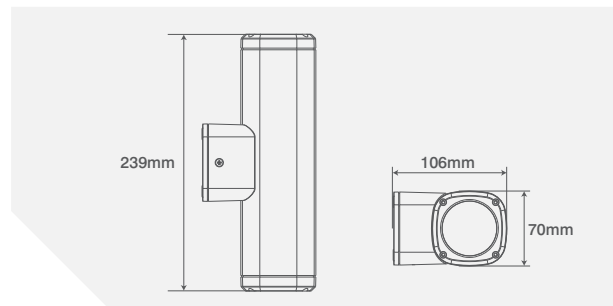


COLOUR TEMPERATURE



CODE	DESCRIPTION
OV2012W7GY	7W Square Up & Down LED Wall Fitting - IP54 - 3000K - Grey
OV2012C7GY	7W Square Up & Down LED Wall Fitting - IP54 - 4000K - Grey

PRODUCT INFO	
CCT (K)	3000 4000
Lumens (Lm)	2 x 300lm
Efficacy (Lm/W)	85
Wattage (W)	2 x 3.5 (7)
CRI	>80
Beam Angle (°)	30 (Top & Bottom)
LED Lifetime (Hrs)	50000
Voltage (AC)	220-240
Frequency (Hz)	50/60
Dimmable	No
Operating Temp (°C)	-20 to +50



PRODUCT APPROVALS

BS EN 60598-1; BS EN 60598-2-2; BS EN 55015; BS EN 62471; BS EN 62493; BS EN 61000-3-2; BS EN 61000-3-3; BS EN 61547



10W IP54 Rectangular LED Backlit Wall Fittings

AVAILABLE FINISHES

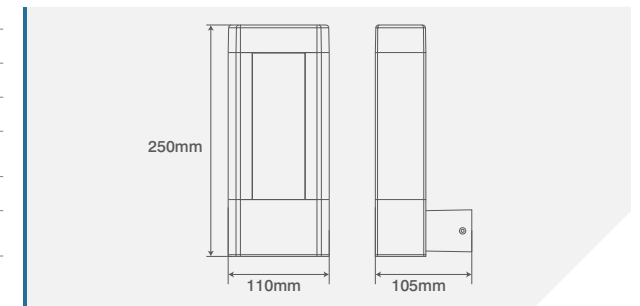


COLOUR TEMPERATURE



PRODUCT INFO	
CCT (K)	3000 4000
Lumens (Lm)	620
Efficacy (Lm/W)	62
Wattage (W)	10
CRI	>80
Beam Angle (°)	120
LED Lifetime (Hrs)	50000
Voltage (AC)	220-240
Frequency (Hz)	50/60
Dimmable	No
Operating Temp (°C)	-20 to +50

CODE	DESCRIPTION
OV2156W10GY	10W Rectangular LED Wall Fitting - IP54 - 3000K - Grey
OV2156C10GY	10W Rectangular LED Wall Fitting - IP54 - 4000K - Grey



PRODUCT APPROVALS

BS EN 60598-1; BS EN IEC 60598-2-1; BS EN 62471; BS EN 61058-1; BS EN 61347-1; BS EN 61347-2-7; BS EN 62493; BS EN 55015; BS EN 61547; BS EN 61000-3-2 & BS EN 61000-3-3

Backlit luminaire with opal lens





3W IP54 LED 'Up or Downlight' - 3000K

WARRANTY  
IP54 1 YEAR

AVAILABLE FINISHES

ANTHRACITE GREY

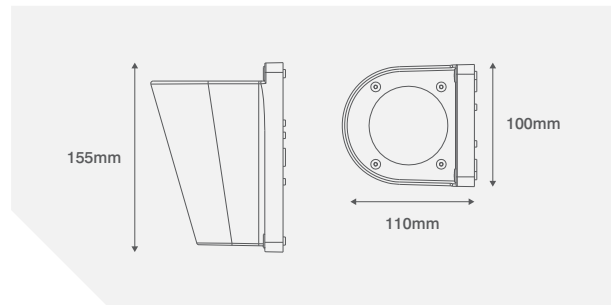


COLOUR TEMPERATURE

WARM WHITE

CODE	DESCRIPTION
OV502WWAG	Wall Fitting - Anthracite Grey

PRODUCT INFO	
Circuit Wattage (W)	3
CCT (K)	3000
Voltage (AC)	220-240
Frequency (Hz)	50/60
Dimmable	No



PRODUCT APPROVALS

BS EN 60598-1; BS EN IEC 60598-2-1



7W IP65 LED Spike Fittings - IP65

AVAILABLE FINISHES

GREY

50000 LIFETIME 24 BEAM ANGLE WARRANTY 3 YEAR IP65

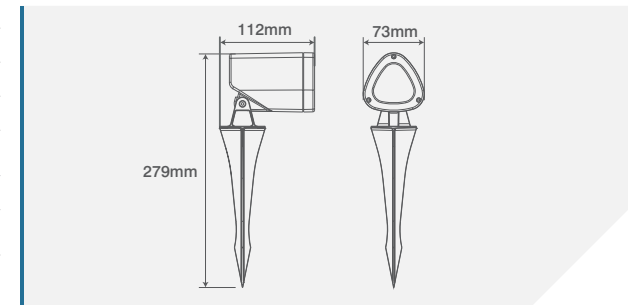


COLOUR TEMPERATURE

WARM WHITE COOL WHITE

PRODUCT INFO		
CCT (K)	3000	4000
Lumens (Lm)	630	
Efficacy (Lm/W)	90	
Wattage (W)	7	
CRI	>80	
Beam Angle (°)	24	
LED Lifetime (Hrs)	50000	
Voltage (AC)	220-240	
Frequency (Hz)	50/60	
Dimmable	No	
Operating Temp (°C)	-20 to +50	

CODE	DESCRIPTION
OV2811W7GY	7W LED Spike Fitting - IP65 - 3000K - Grey
OV2811C7GY	7W LED Spike Fitting - IP65 - 4000K - Grey



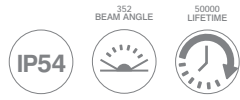
PRODUCT APPROVALS

BS EN 60598-1; BS EN 60598-2-2; BS EN 55015; BS EN 62471; BS EN 62493; BS EN 61000-3-2; BS EN 61000-3-3; BS EN 61547

Prewired with 1 metre flylead



7W IP54 Triangular Mini LED Bollard



AVAILABLE FINISHES

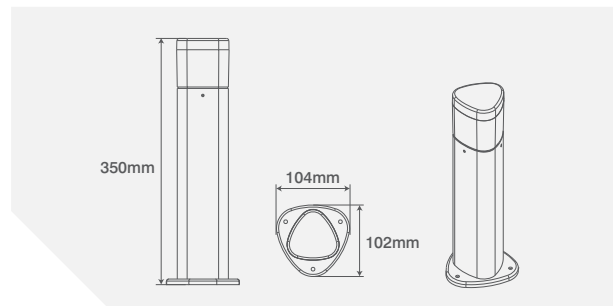


COLOUR TEMPERATURE



CODE	DESCRIPTION
OV2713W7GY	7W Triangular Mini LED Bollard - IP54 - 3000K - Grey
OV2713C7GY	7W Triangular Mini LED Bollard - IP54 - 4000K - Grey

PRODUCT INFO	
CCT (K)	3000 4000
Lumens (Lm)	600
Efficacy (Lm/W)	86
Wattage (W)	7
CRI	>80
Beam Angle (°)	352
LED Lifetime (Hrs)	50000
Voltage (AC)	220-240
Frequency (Hz)	50/60
Dimmable	No
Operating Temp (°C)	-20 to +50

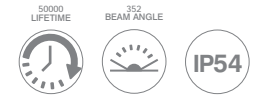


PRODUCT APPROVALS

BS EN 60598-1; BS EN IEC 60598-2-1; BS EN 62471; BS EN 55015; BS EN 61547; BS EN 61000-3-2; BS EN 61000-3-3



7W IP54 Triangular Maxi LED Bollard



AVAILABLE FINISHES

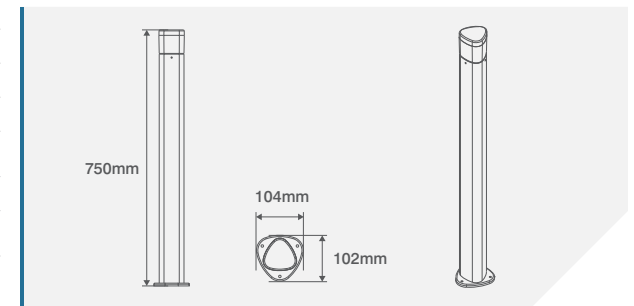


COLOUR TEMPERATURE



PRODUCT INFO	
CCT (K)	3000 4000
Lumens (Lm)	600
Efficacy (Lm/W)	86
Wattage (W)	7
CRI	>80
Beam Angle (°)	352
LED Lifetime (Hrs)	50000
Voltage (AC)	220-240
Frequency (Hz)	50/60
Dimmable	No
Operating Temp (°C)	-20 to +50

CODE	DESCRIPTION
OV2714W7GY	7W Triangular Maxi LED Bollard - IP54 - 3000K - Grey
OV2714C7GY	7W Triangular Maxi LED Bollard - IP54 - 4000K - Grey



PRODUCT APPROVALS

BS EN 60598-1; BS EN IEC 60598-2-1; BS EN 62471; BS EN 55015; BS EN 61547; BS EN 61000-3-2; BS EN 61000-3-3



IP54 Holborn Bollard Single Sided - E27 20W Max.

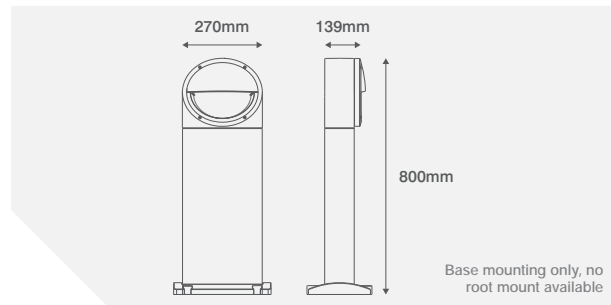
WARRANTY **1** YEAR  
 LAMP TYPE **E27** NOT SUPPLIED  
**IP54**

AVAILABLE FINISHES



CODE	DESCRIPTION
OVOL650GY	Single Sided - Grey

PRODUCT INFO	
Wattage (W)	20
Voltage (AC)	220-240
Lampholder Type	E27 / ES
Lamp Quantity	1



Prewired with 1 metre flylead

PRODUCT APPROVALS

BS EN 60598-1; BS EN IEC 60598-2-1



IP54 Holborn Bollard Double Sided - E27 20W Max.

AVAILABLE FINISHES

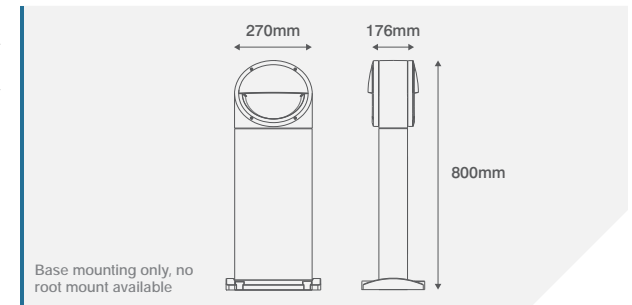


LAMP TYPE **E27** NOT SUPPLIED  
 WARRANTY **1** YEAR  
**IP54**



PRODUCT INFO	
Wattage (W)	20
Voltage (AC)	220-240
Lampholder Type	E27 / ES
Lamp Quantity	1

CODE	DESCRIPTION
OVOL655BK	Double Sided - Black
OVOL655GY	Double Sided - Grey



PRODUCT APPROVALS

Prewired with 1 metre flylead

BS EN 60598-1; BS EN IEC 60598-2-1



IP54 Trinity Bollard - E27 11W Max.

AMENITY

WARRANTY LAMP TYPE

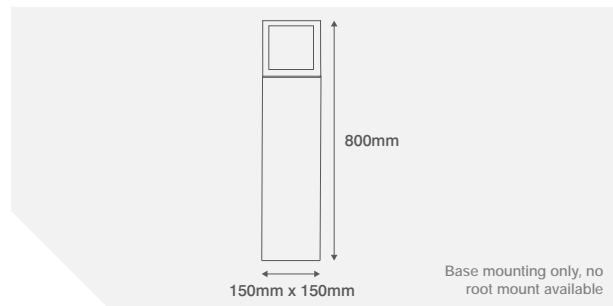
IP54 1 YEAR E27 NOT SUPPLIED

AVAILABLE FINISHES



CODE	DESCRIPTION
OVOL640GY	E27 Opal Framed - Grey

PRODUCT INFO	
Wattage (W)	11
Voltage (AC)	220-240
Lampholder Type	E27 / ES
Lamp Quantity	1



Prewired with 1 metre flylead

PRODUCT APPROVALS

BS EN 60598-1; BS EN IEC 60598-2-1



IP65 Neo Bollard - 13W Max. GX53

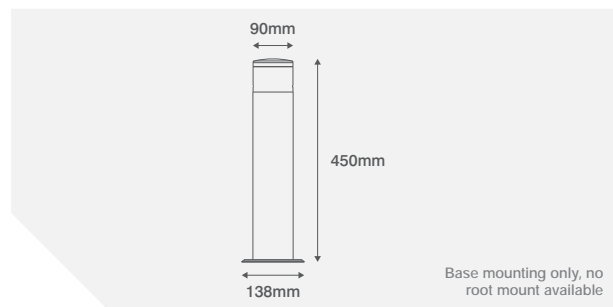
WARRANTY **1** YEAR  
LAMP TYPE **GX53** NOT SUPPLIED  
**IP65**

AVAILABLE FINISHES



CODE	DESCRIPTION
OVOL200GY	GX53 Reflector Bollard - Grey

PRODUCT INFO	
Wattage (W)	13
Voltage (AC)	220-240
Lamp Holder Type	GX53
Lamp Quantity	1



Prewired with 550mm flylead

PRODUCT APPROVALS

BS EN 60598-1; BS EN IEC 60598-2-1



5W LED Wall Fittings - 4000K

AVAILABLE FINISHES



WARRANTY **1** YEAR  
**IP20**

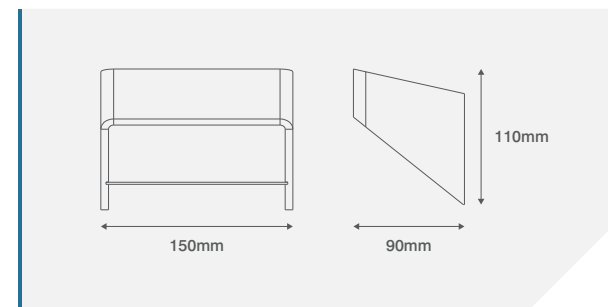


COLOUR TEMPERATURE



PRODUCT INFO	
Circuit Wattage (W)	5
CCT (K)	4000
Voltage (AC)	220-240
Frequency (Hz)	50/60
Dimmable	No

CODE	DESCRIPTION
OV310CWWH	Wall Light - White
OV310CWAL	Wall Light - Aluminium



PRODUCT APPROVALS

BS EN 60598-1; BS EN IEC 60598-2-1



0.8W 12V IP44 LED Plastic Starlight



AVAILABLE FINISHES

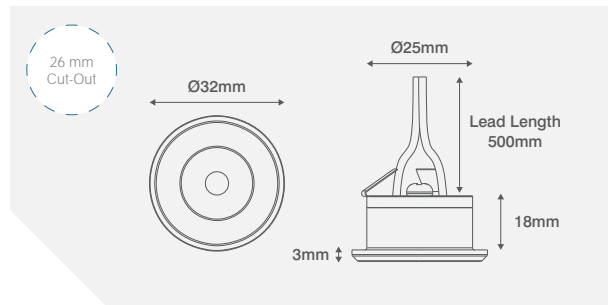


COLOUR TEMPERATURE



CODE	DESCRIPTION
OV204DLWH	Recessed Plastic Starlight - White
OV204DLCH	Recessed Plastic Starlight - Chrome
OV204DLSC	Recessed Plastic Starlight - Satin Chrome

COMPATIBLE PRODUCTS		
OVTR301	0.5-15Va 12V DC LED Driver (Non-dimmable)	See page 132



Prewired with 0.5 metre flylead

PRODUCT APPROVALS

BS EN 60598-1; BS EN IEC 60598-2-1; BS EN 55015; BS EN 61000-3-2; BS EN 61000-3-3; BS EN 61547



1.6W 12V IP44 LED Cast Starlight

AVAILABLE FINISHES



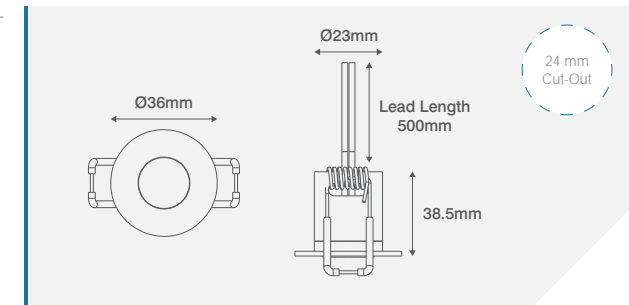
COLOUR TEMPERATURE



PRODUCT INFO	
Circuit Wattage (W)	1.6
CCT (K)	6000
Lumens (Lm)	100
Voltage (AC)	12
Lens Type	Opal

CODE	DESCRIPTION
OV203DLWH	Recessed Cast Starlight - White
OV203DLCH	Recessed Cast Starlight - Chrome
OV203DLSC	Recessed Cast Starlight - Satin Chrome

COMPATIBLE PRODUCTS		
OVTR301	0.5-15Va 12V DC LED Driver (Non-dimmable)	See page 132



PRODUCT APPROVALS

Prewired with 0.5 metre flylead

BS EN 60598-1; BS EN IEC 60598-2-1; BS EN 55015; BS EN 61000-3-2; BS EN 61000-3-3; BS EN 61547



AMENITY

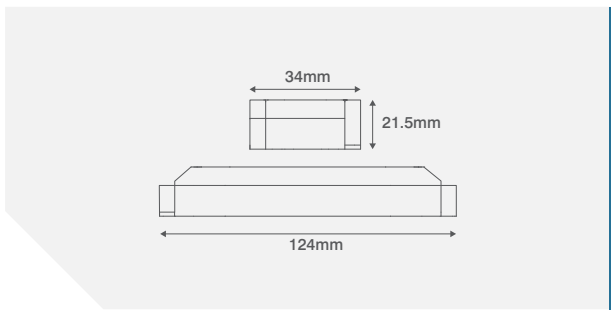
AMENITY

12V DC LED Driver

AMENITY



CODE	DESCRIPTION	PRODUCT INFO																		
OVTR301	0.5-15Va LED Driver (Non-dimmable)	<table border="1"> <tr> <td>Circuit Wattage (W)</td> <td>0.5-15</td> </tr> <tr> <td>Input Voltage (AC)</td> <td>220-240</td> </tr> <tr> <td>Output Voltage (V DC)</td> <td>12</td> </tr> <tr> <td>Frequency (Hz)</td> <td>50/60</td> </tr> <tr> <td>Dimmable</td> <td>No</td> </tr> <tr> <td>Operating Temp (°C)</td> <td>-5 to +45</td> </tr> <tr> <td>Driver Type</td> <td>Constant Current</td> </tr> <tr> <td>Current Rating (A)</td> <td>1.25</td> </tr> <tr> <td>Cable Size Max.</td> <td>0.75mm<sup>2</sup></td> </tr> </table>	Circuit Wattage (W)	0.5-15	Input Voltage (AC)	220-240	Output Voltage (V DC)	12	Frequency (Hz)	50/60	Dimmable	No	Operating Temp (°C)	-5 to +45	Driver Type	Constant Current	Current Rating (A)	1.25	Cable Size Max.	0.75mm <sup>2</sup>
Circuit Wattage (W)	0.5-15																			
Input Voltage (AC)	220-240																			
Output Voltage (V DC)	12																			
Frequency (Hz)	50/60																			
Dimmable	No																			
Operating Temp (°C)	-5 to +45																			
Driver Type	Constant Current																			
Current Rating (A)	1.25																			
Cable Size Max.	0.75mm <sup>2</sup>																			



PRODUCT APPROVALS

BS EN 55015; BS EN 61000-3-2; BS EN 61000-3-3; BS EN 61547

