



CCTV

The ESP® CCTV range offers the installer a practical range of security and observation solutions reflecting the best features of established and emerging CCTV technology. The range includes cameras from 1080p (2 Megapixel) to 4K (8 Megapixel) using the latest in analog and IP technology to deliver superior image quality.



rekor IP

HDview

DigiviewHD+

rekor HD



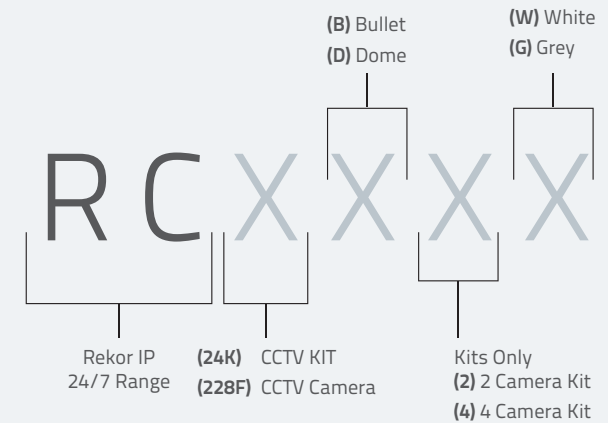


rekor IP™

2 Megapixel 24/7 Colour IP POE Cameras and Kits



Get kitted out with the code finder



2MP Cameras



Premium Surveillance Hard Drive



ESP App for Smart Devices



Power over Ethernet Connection

Fixed Lens Cameras



Ingress Protection Rating



Suitable for use during Day and Night



Efficient Data Storage



Code (White)	Code (Grey)	Description
--------------	-------------	-------------

Rekor IP 2MP Cameras & Kits

RC228FDW	RC228FDG	IP PoE 2MP 2.8mm Dome Camera
RC228FBW	RC228FBG	IP PoE 2MP 2.8mm Bullet Camera
RC24KB2W	RC24KB2G	IP PoE 2MP 4 Channel 2 Bullet Camera Kit 1TB
RC24KB4W	RC24KB4G	IP PoE 2MP 4 Channel 4 Bullet Camera Kit 1TB
RC24KD2W	RC24KD2G	IP PoE 2MP 4 Channel 2 Dome Camera Kit 1TB
RC24KD4W	RC24KD4G	IP PoE 2MP 4 Channel 4 Dome Camera Kit 1TB



- HD 2MP Resolution
- 2.8mm Fixed Lens
- 1/2.8" Image Sensor
- White LED and IR Function up to 30 Meters
- 115° Diagonal Viewing Angle
- Built-In Mic & Speaker
- Supports 128GB MicroSD Card
- IP67 Housing Ingress Protection

Sensor Size	1/2.8"
Lens	2.8mm
Horizontal Viewing Angle	106.7°
Vertical Viewing Angle	57.1°
Diagonal Viewing Angle	115.7°
Effective Pixels	2MP (1920 x 1080)
Ingress Protection	IP67
Minimum Illumination	0.002 Lux
Auto Electronic Shutter	1/5 - 1/20000s
IR Distance	30 Meters
White Light Distance	30 Meters
Compression	H.265/H.264
Video bit rate	128Kbps - 6Mbps
Interface	RJ45 10M / 100M Ethernet
Network Functions	IPv4, IGMP, ICMP, ARP, TCP, UDP, DHCP, RTP, RTSP, RTCP, RTMP, DNS, DDNS, NTP, FTP, UPnP, HTTP, HTTPS, SMTP, SSL, SNMP
Network Monitoring	Web browser, Client Software, Android & IOS
Power	12VDC/PoE

RC228FDW
IP PoE 2MP 2.8mm Dome Camera White



- HD 2MP Resolution
- 2.8mm Fixed Lens
- 1/2.8" Image Sensor
- White LED and IR Function up to 30 Meters
- 115° Diagonal Viewing Angle
- Built-In Mic & Speaker
- Supports 128GB MicroSD Card
- IP67 Housing Ingress Protection

Sensor Size	1/2.8"
Lens	2.8mm
Horizontal Viewing Angle	106.7°
Vertical Viewing Angle	57.1°
Diagonal Viewing Angle	115.7°
Effective Pixels	2MP (1920 x 1080)
Ingress Protection	IP67
Minimum Illumination	0.002 Lux
Auto Electronic Shutter	1/5 - 1/20000s
IR Distance	30 Meters
White Light Distance	30 Meters
Compression	H.265/H.264
Video bit rate	128Kbps - 6Mbps
Interface	RJ45 10M / 100M Ethernet
Network Functions	IPv4, IGMP, ICMP, ARP, TCP, UDP, DHCP, RTP, RTSP, RTCP, RTMP, DNS, DDNS, NTP, FTP, UPnP, HTTP, HTTPS, SMTP, SSL, SNMP
Network Monitoring	Web browser, Client Software, Android & IOS
Power	12VDC/PoE

RC228FBW
IP PoE 2MP 2.8mm Bullet Camera White



- HD 2MP Resolution
- 2.8mm Fixed Lens
- 1/2.8" Image Sensor
- White LED and IR Function up to 30 Meters
- 115° Diagonal Viewing Angle
- Built-In Mic & Speaker
- Supports 128GB MicroSD Card
- IP67 Housing Ingress Protection

Sensor Size	1/2.8"
Lens	2.8mm
Horizontal Viewing Angle	106.7°
Vertical Viewing Angle	57.1°
Diagonal Viewing Angle	115.7°
Effective Pixels	2MP (1920 x 1080)
Ingress Protection	IP67
Minimum Illumination	0.002 Lux
Auto Electronic Shutter	1/5 - 1/20000s
IR Distance	30 Meters
White Light Distance	30 Meters
Compression	H.265/H.264
Video bit rate	128Kbps - 6Mbps
Interface	RJ45 10M / 100M Ethernet
Network Functions	IPv4, IGMP, ICMP, ARP, TCP, UDP, DHCP, RTP, RTSP, RTCP, RTMP, DNS, DDNS, NTP, FTP, UPnP, HTTP, HTTPS, SMTP, SSL, SNMP
Network Monitoring	Web browser, Client Software, Android & IOS
Power	12VDC/PoE

RC228FDG
IP PoE 2MP 2.8mm Dome Camera Grey



- HD 2MP Resolution
- 2.8mm Fixed Lens
- 1/2.8" Image Sensor
- White LED and IR Function up to 30 Meters
- 115° Diagonal Viewing Angle
- Built-In Mic & Speaker
- Supports 128GB MicroSD Card
- IP67 Housing Ingress Protection

Sensor Size	1/2.8"
Lens	2.8mm
Horizontal Viewing Angle	106.7°
Vertical Viewing Angle	57.1°
Diagonal Viewing Angle	115.7°
Effective Pixels	2MP (1920 x 1080)
Ingress Protection	IP67
Minimum Illumination	0.002 Lux
Auto Electronic Shutter	1/5 - 1/20000s
IR Distance	30 Meters
White Light Distance	30 Meters
Compression	H.265/H.264
Video bit rate	128Kbps - 6Mbps
Interface	RJ45 10M / 100M Ethernet
Network Functions	IPv4, IGMP, ICMP, ARP, TCP, UDP, DHCP, RTP, RTSP, RTCP, RTMP, DNS, DDNS, NTP, FTP, UPnP, HTTP, HTTPS, SMTP, SSL, SNMP
Network Monitoring	Web browser, Client Software, Android & IOS
Power	12VDC/PoE

RC228FBG
IP PoE 2MP 2.8mm Bullet Camera Grey





Grey Kits

White Kits



White Kits

Grey Kits

RC24KB2W White **RC24KB2G** Grey
4 Channel CCTV System



- Complete with NVR, Weatherproof IP Cameras, Cable & System Power Supply
- HD 2MP Resolution Viewing and Recording
- 4 Channel IP PoE NVR
- White LED and IR Function for 24/7 Colour Images
- Intelligent Function, with Perimeter Intrusion Detection & Line Crossing Detection

- Pre-Installed Surveillance Hard Drive
- Remote Monitoring via APP (Android / IOS) or PC
- Continuous / Scheduled / Motion Record Modes
- USB Backup for Evidence Transfer
- Up to 250m Cable Length per Channel

System	
Incoming Bandwidth	64Mbps
Outgoing Bandwidth	48Mbps
PoE Ports	4CH (<250 Meters per Channel)
Video & Audio	
Video Input	4CH
Audio Output	1CH
Display	
Output	1 x HDMI, 1 x VGA
Display Split	1/4
Resolution	1024*768, 1280*720, 1280*1024, 1440*900, 1920*1080, 2560*1440, 3840*2160 (HDMI Only)
Recording	
Compression	H.265/H.264
Recording Resolution	Up to 8MP
Liveview/Playback Resolution	4K/5MP/4MP/3MP/1080p/960p/720p/D1/2CIF/CIF
Decoding Capability	1 x 4K@30, 4 x 5MP@25, 4 x 4MP@25, 4 x 3MP@25, 4 x 1080p@30
Recording Mode	Manual/Motion Detection/Schedule

Playback & Backup	
Backup Mode	Network/2 x USB2.0
Network	
Ethernet	RJ-45 port (100/1000M)
Network Functions	TCP/IP, P2P, UPnP, NTP, DHCP, PPPoE, HTTP, HTTPS, DNS, DDNS, SMTP, RTSP
Network Monitoring	Web browser, Client Software, Android & IOS
Storage	
Internal HDD	1TB HDD
General	
NVR Power Consumption	<9W (without hard disk)
PoE Type	IEEE802af/at
Operation Condition	-10°C to +55°C
Dimensions	205x205x46mm
External Power Supply	
Power Input	AC 110-240V
Power Output	DC48V/1.7A - 65W

White **RC24KB4W** Grey **RC24KB4G**
4 Channel CCTV System

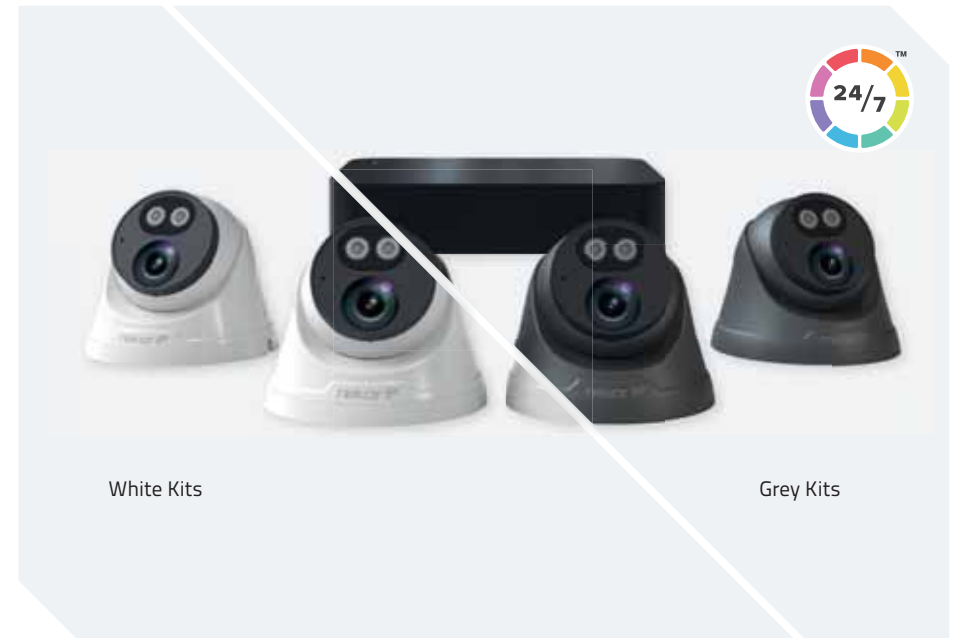
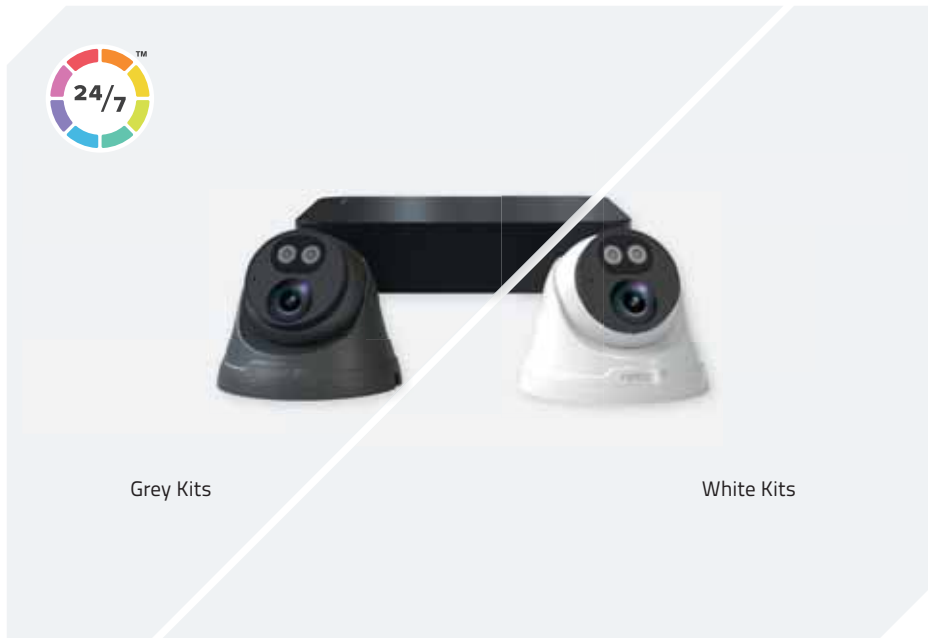


- Complete with NVR, Weatherproof IP Cameras, Cable & System Power Supply
- HD 2MP Resolution Viewing and Recording
- 4 Channel IP PoE NVR
- White LED and IR Function for 24/7 Colour Images
- Intelligent Function, with Perimeter Intrusion Detection & Line Crossing Detection

- Pre-Installed Surveillance Hard Drive
- Remote Monitoring via APP (Android / IOS) or PC
- Continuous / Scheduled / Motion Record Modes
- USB Backup for Evidence Transfer
- Up to 250m Cable Length per Channel

System	
Incoming Bandwidth	64Mbps
Outgoing Bandwidth	48Mbps
PoE Ports	4CH (<250 Meters per Channel)
Video & Audio	
Video Input	4CH
Audio Output	1CH
Display	
Output	1 x HDMI, 1 x VGA
Display Split	1/4
Resolution	1024*768, 1280*720, 1280*1024, 1440*900, 1920*1080, 2560*1440, 3840*2160 (HDMI Only)
Recording	
Compression	H.265/H.264
Recording Resolution	Up to 8MP
Liveview/Playback Resolution	4K/5MP/4MP/3MP/1080p/960p/720p/D1/2CIF/CIF
Decoding Capability	1 x 4K@30, 4 x 5MP@25, 4 x 4MP@25, 4 x 3MP@25, 4 x 1080p@30
Recording Mode	Manual/Motion Detection/Schedule

Playback & Backup	
Backup Mode	Network/2 x USB2.0
Network	
Ethernet	RJ-45 port (100/1000M)
Network Functions	TCP/IP, P2P, UPnP, NTP, DHCP, PPPoE, HTTP, HTTPS, DNS, DDNS, SMTP, RTSP
Network Monitoring	Web browser, Client Software, Android & IOS
Storage	
Internal HDD	1TB HDD
General	
NVR Power Consumption	<9W (without hard disk)
PoE Type	IEEE802af/at
Operation Condition	-10°C to +55°C
Dimensions	205x205x46mm
External Power Supply	
Power Input	AC 110-240V
Power Output	DC48V/1.7A - 65W



RC24KD2G Grey RC24KD2W White
4 Channel CCTV System



- Complete with NVR, Weatherproof IP Cameras, Cable & System Power Supply
- HD 2MP Resolution Viewing and Recording
- 4 Channel IP PoE NVR
- White LED and IR Function for 24/7 Colour Images
- Intelligent Function, with Perimeter Intrusion Detection & Line Crossing Detection

- Pre-Installed Surveillance Hard Drive
- Remote Monitoring via APP (Android / IOS) or PC
- Continuous / Scheduled / Motion Record Modes
- USB Backup for Evidence Transfer
- Up to 250m Cable Length per Channel

System	
Incoming Bandwidth	64Mbps
Outgoing Bandwidth	48Mbps
PoE Ports	4CH (<250 Meters per Channel)
Video & Audio	
Video Input	4CH
Audio Output	1CH
Display	
Output	1 x HDMI, 1 x VGA
Display Split	1/4
Resolution	1024*768, 1280*720, 1280*1024, 1440*900, 1920*1080, 2560*1440, 3840*2160 (HDMI Only)
Recording	
Compression	H.265/H.264
Recording Resolution	Up to 8MP
Liveview/Playback Resolution	4K/5MP/4MP/3MP/1080p/960p/720p/D1/2CIF/CIF
Decoding Capability	1 x 4K@30, 4 x 5MP@25, 4 x 4MP@25, 4 x 3MP@25, 4 x 1080p@30
Recording Mode	Manual/Motion Detection/Schedule

Playback & Backup	
Backup Mode	Network/2 x USB2.0
Network	
Ethernet	RJ-45 port (100/1000M)
Network Functions	TCP/IP, P2P, UPnP, NTP, DHCP, PPPoE, HTTP, HTTPS, DNS, DDNS, SMTP, RTSP
Network Monitoring	Web browser, Client Software, Android & IOS
Storage	
Internal HDD	1TB HDD
General	
NVR Power Consumption	<9W (without hard disk)
PoE Type	IEEE802af/at
Operation Condition	-10°C to +55°C
Dimensions	205x205x46mm
External Power Supply	
Power Input	AC 110-240V
Power Output	DC48V/1.7A - 65W

White **RC24KD4W** Grey **RC24KD4G**
4 Channel CCTV System



- Complete with NVR, Weatherproof IP Cameras, Cable & System Power Supply
- HD 2MP Resolution Viewing and Recording
- 4 Channel IP PoE NVR
- White LED and IR Function for 24/7 Colour Images
- Intelligent Function, with Perimeter Intrusion Detection & Line Crossing Detection

- Pre-Installed Surveillance Hard Drive
- Remote Monitoring via APP (Android / IOS) or PC
- Continuous / Scheduled / Motion Record Modes
- USB Backup for Evidence Transfer
- Up to 250m Cable Length per Channel

System	
Incoming Bandwidth	64Mbps
Outgoing Bandwidth	48Mbps
PoE Ports	4CH (<250 Meters per Channel)
Video & Audio	
Video Input	4CH
Audio Output	1CH
Display	
Output	1 x HDMI, 1 x VGA
Display Split	1/4
Resolution	1024*768, 1280*720, 1280*1024, 1440*900, 1920*1080, 2560*1440, 3840*2160 (HDMI Only)
Recording	
Compression	H.265/H.264
Recording Resolution	Up to 8MP
Liveview/Playback Resolution	4K/5MP/4MP/3MP/1080p/960p/720p/D1/2CIF/CIF
Decoding Capability	1 x 4K@30, 4 x 5MP@25, 4 x 4MP@25, 4 x 3MP@25, 4 x 1080p@30
Recording Mode	Manual/Motion Detection/Schedule

Playback & Backup	
Backup Mode	Network/2 x USB2.0
Network	
Ethernet	RJ-45 port (100/1000M)
Network Functions	TCP/IP, P2P, UPnP, NTP, DHCP, PPPoE, HTTP, HTTPS, DNS, DDNS, SMTP, RTSP
Network Monitoring	Web browser, Client Software, Android & IOS
Storage	
Internal HDD	1TB HDD
General	
NVR Power Consumption	<9W (without hard disk)
PoE Type	IEEE802af/at
Operation Condition	-10°C to +55°C
Dimensions	205x205x46mm
External Power Supply	
Power Input	AC 110-240V
Power Output	DC48V/1.7A - 65W



5 & 8 Megapixel 24/7 Colour IP POE Cameras and NVRs



5MP & 8MP
Options



Premium Surveillance
Hard Drive



ESP App for Smart Devices



Power over Ethernet
Connection

Fixed Lens Cameras



Ingress Protection Rating



Suitable for use during
Day and Night

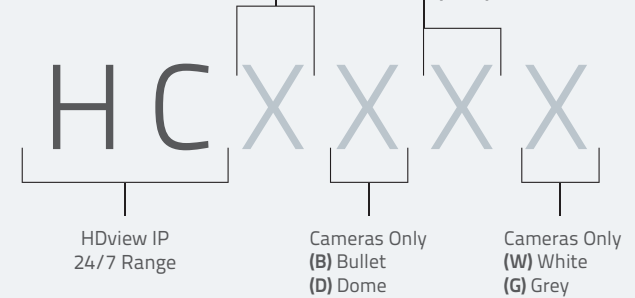


Efficient Data Storage



- (528F) 5MP 2.8mm Fixed Camera
- (828F) 8MP 2.8mm Fixed Camera
- (84R) 8MP 4 Channel CCTV Recorder
- (88R) 8MP 8 Channel CCTV Recorder
- (816R) 8MP 16 Channel CCTV Recorder
- (832R) 8MP 32 Channel CCTV Recorder
- (864R) 8MP 64 Channel CCTV Recorder

- NVR's Only
- (1TB) 1TB Hard Drive
- (2TB) 2TB Hard Drive
- (4TB) 4TB Hard Drive
- (8TB) 8TB Hard Drive
- (12TB) 12TB Hard Drive
- (16TB) 16TB Hard Drive
- (32TB) 32TB Hard Drive



Code (White)	Code (Grey)	Description
--------------	-------------	-------------

HDview IP 24/7 Colour Cameras

HC528FDW	HC528FDG	IP PoE 5MP 2.8mm Dome Camera White
HC528FBW	HC528FBG	IP PoE 5MP 2.8mm Bullet Camera White
HC828FDW	HC828FDG	IP PoE 8MP 2.8mm Dome Camera White
HC828FBW	HC828FBG	IP PoE 8MP 2.8mm Bullet Camera White

Code	Description
------	-------------

HDview IP 24/7 Colour NVR's

HC84R	HDview IP 24/7 IP PoE 8MP 4CH NVR 1TB
HC84R2TB	HDview IP 24/7 IP PoE 8MP 4CH NVR 2TB
HC84R4TB	HDview IP 24/7 IP PoE 8MP 4CH NVR 4TB
HC84R8TB	HDview IP 24/7 IP PoE 8MP 4CH NVR 8TB
HC88R	HDview IP 24/7 IP PoE 8MP 8CH NVR 1TB
HC88R2TB	HDview IP 24/7 IP PoE 8MP 8CH NVR 2TB
HC88R4TB	HDview IP 24/7 IP PoE 8MP 8CH NVR 4TB
HC88R8TB	HDview IP 24/7 IP PoE 8MP 8CH NVR 8TB
HC816R	HDview IP 24/7 IP PoE 8MP 16CH NVR 2TB
HC816R4TB	HDview IP 24/7 IP PoE 8MP 16CH NVR 4TB
HC816R8TB	HDview IP 24/7 IP PoE 8MP 16CH NVR 8TB
HC816R12TB	HDview IP 24/7 IP PoE 8MP 16CH NVR 12TB
HC816R16TB	HDview IP 24/7 IP PoE 8MP 16CH NVR 16TB
HC832R	HDview IP 24/7 IP PoE 8MP 32CH NVR 4TB
HC832R8TB	HDview IP 24/7 IP PoE 8MP 32CH NVR 8TB
HC832R16TB	HDview IP 24/7 IP PoE 8MP 32CH NVR 16TB
HC832R32TB	HDview IP 24/7 IP PoE 8MP 32CH NVR 32TB
HC864R	HDview IP 24/7 IP 8MP 64CH NVR 8TB
HC864R12TB	HDview IP 24/7 IP 8MP 64CH NVR 12TB
HC864R16TB	HDview IP 24/7 IP 8MP 64CH NVR 16TB
HC864R24TB	HDview IP 24/7 IP 8MP 64CH NVR 24TB
HC864R32TB	HDview IP 24/7 IP 8MP 64CH NVR 32TB
HC864R48TB	HDview IP 24/7 IP 8MP 64CH NVR 48TB
HC864R64TB	HDview IP 24/7 IP 8MP 64CH NVR 64TB



- HD Resolution
- 2.8mm Fixed Lens
- 1/2.8mm Image Sensor
- White LED and IR Function up to 30 Meters
- 115° Diagonal Viewing Angle
- Built-in Mic & Speaker
- Supports 128GB Micro SD Card
- IP67 Housing Ingress Protection

Sensor Size	1/2.8"
Lens	2.8mm
Horizontal Viewing Angle	101.1°
Vertical Viewing Angle	55.3°
Diagonal Viewing Angle	111.1°
Effective Pixels	5MP (2880 x 1620)
Ingress Protection	IP67
Minimum Illumination	0.003 Lux
Auto Electronic Shutter	1/5 - 1/20000s
IR Distance	30 Meters
White Light Distance	30 Meters
Compression	H.265/H.264
Video bit rate	128Kbps - 6Mbps
Interface	RJ45 10M / 100M Ethernet
Network Functions	IPv4, IGMP, ICMP, ARP, TCP, UDP, DHCP, RTP, RTSP, RTCP, RTMP, DNS, DDNS, NTP, FTP, UPnP, HTTP, HTTPS, SMTP, SSL, SNMP
Network Monitoring	Web browser, Client Software, Android & IOS
Power	12VDC/PoE

HC528FDW IP PoE 5MP 2.8mm Dome Camera White
HC528FDG IP PoE 5MP 2.8mm Dome Camera Grey



- HD Resolution
- 2.8mm Fixed Lens
- 1/2.8mm Image Sensor
- White LED and IR Function up to 30 Meters
- 115° Diagonal Viewing Angle
- Built-in Mic & Speaker
- Supports 128GB Micro SD Card
- IP67 Housing Ingress Protection

Sensor Size	1/2.7"
Lens	2.8mm
Horizontal Viewing Angle	112.9°
Vertical Viewing Angle	59.1°
Diagonal Viewing Angle	121.2°
Effective Pixels	5MP (2880 x 1620)
Ingress Protection	IP67
Minimum Illumination	0.003 Lux
Auto Electronic Shutter	1/5 - 1/20000s
IR Distance	30 Meters
White Light Distance	30 Meters
Compression	H.265/H.264
Video bit rate	128Kbps - 6Mbps
Interface	RJ45 10M / 100M Ethernet
Network Functions	IPv4, IGMP, ICMP, ARP, TCP, UDP, DHCP, RTP, RTSP, RTCP, RTMP, DNS, DDNS, NTP, FTP, UPnP, HTTP, HTTPS, SMTP, SSL, SNMP
Network Monitoring	Web browser, Client Software, Android & IOS
Power	12VDC/PoE



BBW1 CCTV 24/7 Bullet Deep Base White
BBG1 CCTV 24/7 Bullet Deep Base Grey

HC528FBW IP PoE 5MP 2.8mm Bullet Camera White
HC528FBG IP PoE 5MP 2.8mm Bullet Camera Grey



- HD Resolution
- 2.8mm Fixed Lens
- 1/2.8mm Image Sensor
- White LED and IR Function up to 30 Meters
- 115° Diagonal Viewing Angle
- Built-in Mic & Speaker
- Supports 128GB Micro SD Card
- IP67 Housing Ingress Protection

Sensor Size	1/2.8"
Lens	2.8mm
Horizontal Viewing Angle	106.7°
Vertical Viewing Angle	57.1°
Diagonal Viewing Angle	115.7°
Effective Pixels	8MP (3840 x 2160)
Ingress Protection	IP67
Minimum Illumination	0.003 Lux
Auto Electronic Shutter	1/5 - 1/20000s
IR Distance	30 Meters
White Light Distance	30 Meters
Compression	H.265/H.264
Video bit rate	128Kbps - 6Mbps
Interface	RJ45 10M / 100M Ethernet
Network Functions	IPv4, IGMP, ICMP, ARP, TCP, UDP, DHCP, RTP, RTSP, RTCP, RTMP, DNS, DDNS, NTP, FTP, UPnP, HTTP, HTTPS, SMTP, SSL, SNMP
Network Monitoring	Web browser, Client Software, Android & IOS
Power	12VDC/PoE

HC828FDW IP PoE 8MP 2.8mm Dome Camera White
HC828FDG IP PoE 8MP 2.8mm Dome Camera Grey



- HD Resolution
- 2.8mm Fixed Lens
- 1/2.8mm Image Sensor
- White LED and IR Function up to 30 Meters
- 115° Diagonal Viewing Angle
- Built-in Mic & Speaker
- Supports 128GB Micro SD Card
- IP67 Housing Ingress Protection

Sensor Size	1/2.7"
Lens	2.8mm
Horizontal Viewing Angle	112.4°
Vertical Viewing Angle	60.1°
Diagonal Viewing Angle	146.1°
Effective Pixels	8MP (3840 x 2160)
Ingress Protection	IP67
Minimum Illumination	0.01 Lux
Auto Electronic Shutter	1/5 - 1/20000s
IR Distance	30 Meters
White Light Distance	30 Meters
Compression	H.265/H.264
Video bit rate	128Kbps - 6Mbps
Interface	RJ45 10M / 100M Ethernet
Network Functions	IPv4, IGMP, ICMP, ARP, TCP, UDP, DHCP, RTP, RTSP, RTCP, RTMP, DNS, DDNS, NTP, FTP, UPnP, HTTP, HTTPS, SMTP, SSL, SNMP
Network Monitoring	Web browser, Client Software, Android & IOS
Power	12VDC/PoE



BBW1 CCTV 24/7 Bullet Deep Base White
BBG1 CCTV 24/7 Bullet Deep Base Grey

HC828FBW IP PoE 8MP 2.8mm Bullet Camera White
HC828FBG IP PoE 8MP 2.8mm Bullet Camera Grey





HC84R
IP PoE 8MP 4CH NVR 1TB



- HD Resolution Recording
- H.265 Video Compression for Efficient Storage
- Intelligent Features such as Line Cross Detection and Perimeter Intrusion Detection
- Playback/Record/Remote View Simultaneously
- Continuous/Scheduled/Motion Detection/Intelligent Record Modes

- Remote Monitoring VIA APP
- HDMI Output up to 4K
- USB Backup for Evidence Transfer
- Pre-Installed Surveillance Hard Drive
- Up to 250m Cable Length per Channel

System	
Incoming Bandwidth	80Mbps
Outgoing Bandwidth	64Mbps
PoE Ports	4CH (<250 Meters per Channel)
Video & Audio	
Video Input	4CH
Audio Output	1CH
Display	
Output	1 x HDMI, 1 x VGA
Display Split	1/4
Resolution	3840X2160 @30 (HDMI Only), 1920X1080@60, 1920X1080@50, 1600X1200@60, 1280X1024@60, 1280X720@60, 1024X768@60
Recording	
Compression	H.265/H.264
Recording Resolution	Up to 8MP
Liveview/Playback Resolution	4K/5MP/4MP/3MP/1080p/960p/720p/D1/2CIF/CIF
Decoding Capability	2 x 4k@30, 3 x 5MP@30, 4 x 4MP@30
Recording Mode	Manual/Motion Detection/Schedule

Playback & Backup	
Backup Mode	Network/2 x USB2.0
Network	
Ethernet	RJ-45 port (100/1000M)
Network Functions	TCP/IP, P2P, UPnP, NTP, DHCP, PPPoE, HTTP, HTTPS, DNS, DDNS, SNMP, SMTP
Network Monitoring	Web browser, Client Software, Android & IOS
Storage	
Internal HDD	1TB HDD
General	
NVR Power Consumption	<9W (without hard disk)
PoE Type	IEEE802af/at
Operation Condition	-10°C - +55°C
Dimensions	240x260x47mm
External Power Supply	
Power Input	AC 110-240V
Power Output	DC48V/1.7A - 65W



HC88R
IP PoE 8MP 8CH NVR 1TB

- HD Resolution Recording
- H.265 Video Compression for Efficient Storage
- Intelligent Features such as Line Cross Detection and Perimeter Intrusion Detection
- Playback/Record/Remote View Simultaneously
- Continuous/Scheduled/Motion Detection/Intelligent Record Modes

- Remote Monitoring VIA APP
- HDMI Output up to 4K
- USB Backup for Evidence Transfer
- Pre-Installed Surveillance Hard Drive
- Up to 250m Cable Length per Channel

System	
Incoming Bandwidth	80Mbps
Outgoing Bandwidth	64Mbps
PoE Ports	8CH (<250 Meters per Channel)
Video & Audio	
Video Input	8CH
Audio Output	1CH
Display	
Output	1 x HDMI, 1 x VGA
Display Split	1/4/6/8/9
Resolution	3840X2160 @30 (HDMI Only), 1920X1080@60, 1920X1080@50, 1600X1200@60, 1280X1024@60, 1280X720@60, 1024X768@60
Recording	
Compression	H.265/H.264
Recording Resolution	Up to 8MP
Liveview/Playback Resolution	4K/5MP/4MP/3MP/1080p/960p/720p/D1/2CIF/CIF
Decoding Capability	2 x 4k@30, 3 x 5MP@30, 4 x 4MP@30, 5 x 3MP@30, 8 x 1080p@30
Recording Mode	Manual/Motion Detection/Schedule

Playback & Backup	
Backup Mode	Network/2 x USB2.0
Network	
Ethernet	RJ-45 port (100/1000M)
Network Functions	TCP/IP, P2P, UPnP, NTP, DHCP, PPPoE, HTTP, HTTPS, DNS, DDNS, SNMP, SMTP
Network Monitoring	Web browser, Client Software, Android & IOS
Storage	
Internal HDD	1TB HDD
General	
NVR Power Consumption	<8W (without hard disk)
PoE Type	IEEE802af/at
Operation Condition	-10°C - +55°C
Dimensions	240x260x47mm
External Power Supply	
Power Input	AC 110-240V
Power Output	DC52V/1.8A - 93.6W



HC816R
IP PoE 8MP 16CH NVR 2TB



- HD Resolution Recording
- H.265 Video Compression for Efficient Storage
- Intelligent Features such as Line Cross Detection and Perimeter Intrusion Detection
- Playback/Record/Remote View Simultaneously
- Continuous/Scheduled/Motion Detection/Intelligent Record Modes
- Remote Monitoring VIA APP
- HDMI Output up to 4K
- USB Backup for Evidence Transfer
- Pre-Installed Surveillance Hard Drive
- Up to 250m Cable Length per Channel

System	
Incoming Bandwidth	160Mbps
Outgoing Bandwidth	64Mbps
PoE Ports	16CH (<250 Meters per Channel)
Video & Audio	
Video Input	16CH
Audio Output	1CH
Display	
Output	1 x HDMI, 1 x VGA
Display Split	1/4/6/8/9/16/25/36
Resolution	3840X2160 @30 (HDMI Only), 1920X1080@60, 1920X1080@50, 1600X1200@60, 1280X1024@60, 1280X720@60, 1024X768@60
Recording	
Compression	H.265/H.264
Recording Resolution	Up to 8MP
Liveview/Playback Resolution	8MP/6MP/5MP/4MP/3MP/1080p/960p/720p/D1/2CIF/1CIF
Decoding Capability	2 x 4K@30, 4x 4MP@30, 5 x 3MP@30, 8 x 1080P@30, 16 x 720P@30
Recording Mode	Manual/Motion Detection/Schedule

Playback & Backup	
Backup Mode	Network/2 x USB2.0
Network	
Ethernet	RJ-45 port (100/1000M)
Network Functions	TCP/IP, P2P, UPnP, NTP, DHCP, PPPoE, HTTP, HTTPS, DNS, DDNS, SNMP, SMTP
Network Monitoring	Web browser, Client Software, Android & IOS
Storage	
Internal HDD	2TB HDD
General	
NVR Power Consumption	<10W (without hard disk)
Power Input	100 - 240V AC (C13)
PoE Type	IEEE802af/at
Operation Condition	-10°C - +55°C
Dimensions	380x315x53mm

HC832R
IP PoE 8MP 32CH NVR 4TB



- HD Resolution Recording
- 32 Channel IP PoE NVR with 16 PoE Ports
- H.265 Video Compression for Efficient Storage
- Intelligent Features such as Line Cross Detection and Perimeter Intrusion Detection
- Playback/Record/Remote View Simultaneously
- Continuous/Scheduled/Motion Detection/Intelligent Record Modes
- Remote Monitoring VIA APP
- HDMI Output up to 4K
- USB Backup for Evidence Transfer
- Pre-Installed Surveillance Hard Drive
- Up to 250m Cable Length per Channel

System	
Incoming Bandwidth	160Mbps
Outgoing Bandwidth	64Mbps
PoE Ports	16CH (<250 Meters per Channel)
Video & Audio	
Video Input	32CH
Audio Output	1CH
Display	
Output	1 x HDMI, 1 x VGA
Display Split	1/4/6/8/9/16/25/36
Resolution	3840X2160 @30 (HDMI Only), 1920X1080@60, 1920X1080@50, 1600X1200@60, 1280X1024@60, 1280X720@60, 1024X768@60
Recording	
Compression	H.265/H.264
Recording Resolution	Up to 8MP
Liveview/Playback Resolution	8MP/6MP/5MP/4MP/3MP/1080p/960p/720p/D1/2CIF/1CIF
Decoding Capability	2 x 4K@30, 4x 4MP@30, 5 x 3MP@30, 8 x 1080P@30, 16 x 720P@30, 32 x D1@30
Recording Mode	Manual/Motion Detection/Schedule

Playback & Backup	
Backup Mode	Network/2 x USB2.0
Network	
Ethernet	RJ-45 port (100/1000M)
Network Functions	TCP/IP, P2P, UPnP, NTP, DHCP, PPPoE, HTTP, HTTPS, DNS, DDNS, SNMP, SMTP
Network Monitoring	Web browser, Client Software, Android & IOS
Storage	
Internal HDD	4TB HDD
General	
NVR Power Consumption	<15W (without hard disk)
Power Input	100 - 240V AC (C13)
PoE Type	IEEE802af/at
Operation Condition	-10°C - +55°C
Dimensions	400x362x74mm



HC864R
IP 64CH NVR 8TB



- HD Resolution Recording
- 64 Channel IP with 2 Uplink Ports
- H.265 Video Compression for Efficient Storage
- Intelligent Features such as Line Cross Detection and Perimeter Intrusion Detection
- Playback/Record/Remote View Simultaneously

- Continuous/Scheduled/Motion Detection/Intelligent Record Modes
- Remote Monitoring VIA APP
- HDMI Output up to 4K
- USB Backup for Evidence Transfer
- Pre-Installed Surveillance Hard Drive
- Up to 250m Cable Length per Channel

System

Incoming Bandwidth	384Mbps
Outgoing Bandwidth	384Mbps
Uplinks Ports	2

Video & Audio

Video Input	64CH
Audio Output	1CH

Display

Output	2 x HDMI, 1 x VGA
Display Split	1/4/6/8/9/16/25/36/64(HDMI Only)
Resolution	3840X2160 @30 (HDMI Only), 1920X1080@60, 1920X1080@50, 1600X1200@60, 1280X1024@60, 1280X720@60, 1024X768@60

Recording

Compression	H.265/H.264
Recording Resolution	12MP/8MP/6MP/5MP/4MP/3MP/1080p/960p/720p/D1/2CIF/CIF
Liveview/Playback Resolution	12MP/8MP/6MP/5MP/4MP/3MP/1080p/960p/720p/D1/2CIF/CIF
Decoding Capability	2 x 12MP@30, 4 x 4K@30, 8 x 4MP@30, 9 x 4MP@25, 16 x 1080P@30, 32 x 960P@25, 36 x 720P@30, 64 x D1
Recording Mode	Manual/Motion Detection/Schedule

Playback & Backup

Backup Mode	Network/2 x USB2.0
-------------	--------------------

Network

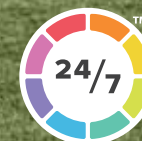
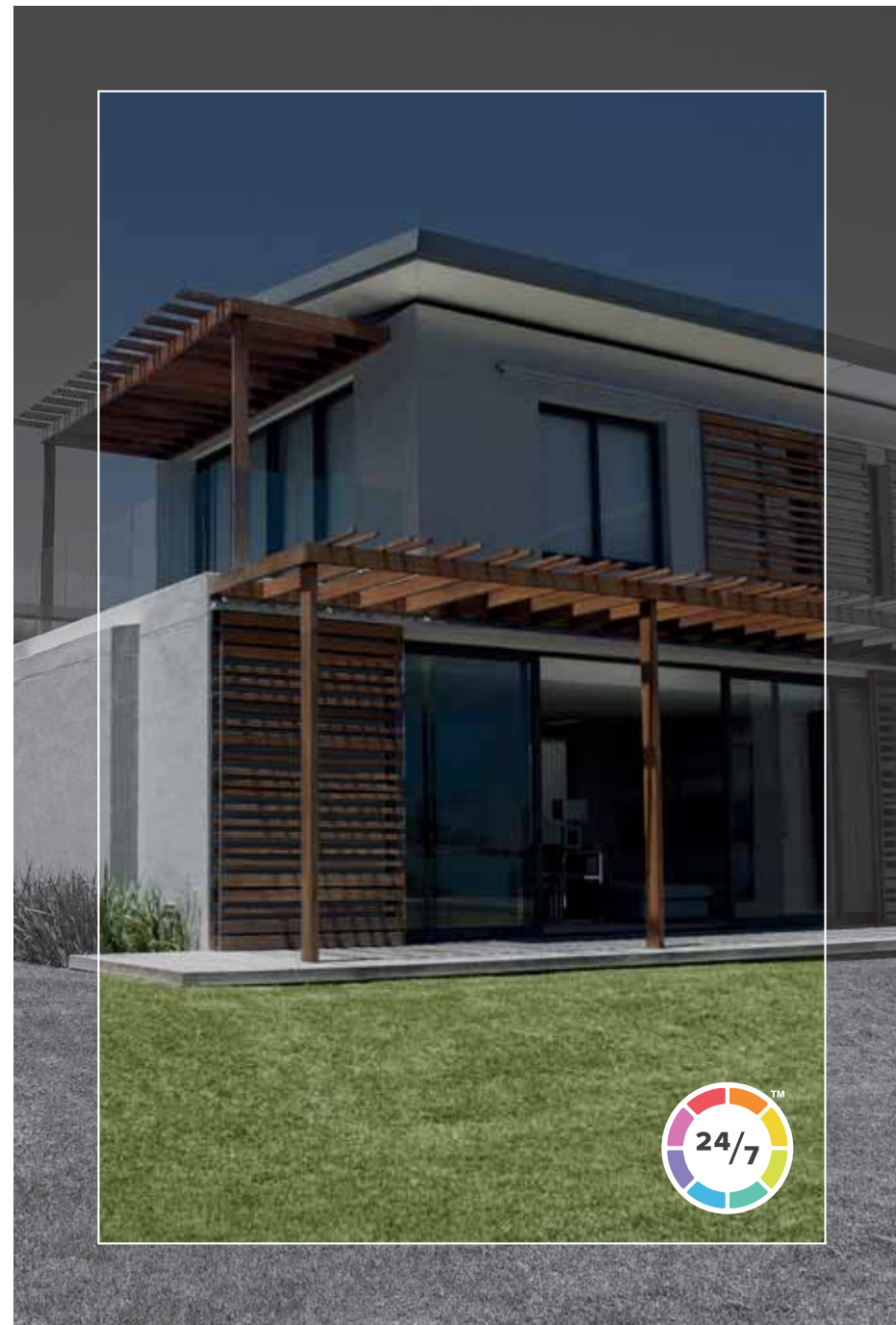
Ethernet	RJ-45 port (100/1000M)
Network Functions	TCP/IP, P2P, UPnP, NTP, DHCP, PPPoE, HTTP, HTTPS, DNS, DDNS, SNMP, SMTP
Network Monitoring	Web browser, Client Software, Android & IOS

Storage

Internal HDD	8TB HDD
--------------	---------

General

NVR Power Consumption	<25W (without hard disk)
Power Input	100 - 240V AC (C13)
PoE Type	IEEE802af/at
Operation Condition	-10°C - +55°C
Dimensions	442x426x89mm



rekor IP™

2 Megapixel IP POE Cameras and Kits



2MP Cameras



Premium Surveillance Hard Drive



ESP View App for Smart Devices



Power over Ethernet Connection

Fixed Lens Cameras



Ingress Protection Rating



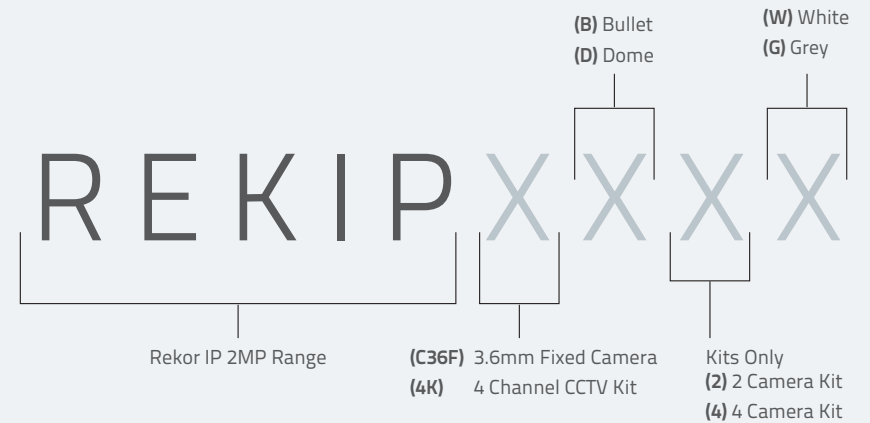
Suitable for use during Day and Night



Efficient Data Storage



Get kitted out with the code finder



Code (White)	Code (Grey)	Description
Rekor IP 2MP Cameras & Kits		
REKIPC36FBW	REKIPC36FBG	Rekor IP Bullet POE 2MP Camera Fixed 3.6mm
	REKIPC36FDG	Rekor IP Dome POE 2MP Camera Fixed 3.6mm
REKIP4KB2W		Rekor IP 4 Channel POE 2MP 2 Bullet Camera Kit (1TB)
REKIP4KB4W	REKIP4KB4G	Rekor IP 4 Channel POE 2MP 4 Bullet Camera Kit (1TB)
REKIP4KD2W	REKIP4KD2G	Rekor IP 4 Channel POE 2MP 2 Dome Camera Kit (1TB)
REKIP4KD4W		Rekor IP 4 Channel POE 2MP 4 Dome Camera Kit (1TB)



IPDDBW White Camera Deep Base
IPDDBG Grey Camera Deep Base

REKIPC36FBW
White 3.6mm Lens 2MP IP Bullet Camera



REKIPC36FBG
Grey 3.6mm Lens 2MP IP Bullet Camera

- HD 2MP Resolution
- 3.6mm Fixed Lens
- 1/2.7" Image Sensor
- 30m Infrared LED Illumination
- 88° Viewing Angle
- H265 Compression
- ONVIF Compliant
- IP66 Housing Ingress Protection

Sensor Size	1/2.7"
Lens	3.6mm
Effective Pixels	2MP (1920 x 1080)
Ingress Protection	IP66
Minimum Illumination	0.05 Lux
Auto Electronic Shutter	1/5 ~ 1/20000s
IR Distance	30 Meters
Compression	H.265/H.264
Video bit rate	256Kbps ~ 8Mbps
Interface	RJ45 10M / 100M Ethernet
Network Functions	TCP/IP,HTTP,DHCP,DNS,DDNS,RTP/RTSP,PP-PoE,SMTP,NTP,UPnP,SNMP,HTTPS,FTP
Network Monitoring	Web browser, Client Software, Android & IOS
Power	12vDC/POE
Consumption	< 7W
Dimension	Ø71 X138mm
Weight	250g
Storage Temperature	-30°C+60°C
Operating Temperature	-30°C+55°C



IPDDBG Grey Camera Deep Base

REKIPC36FDG
Grey 3.6mm Lens 2MP IP Dome Camera



- HD 2MP Resolution
- 3.6mm Fixed Lens
- 1/2.7" Image Sensor
- 30m Infrared LED Illumination
- 88° Viewing Angle
- H265 Compression
- ONVIF Compliant
- IP66 Housing Ingress Protection

Sensor Size	1/2.7"
Lens	3.6mm
Effective Pixels	2MP (1920 x 1080)
Ingress Protection	IP66
Minimum Illumination	0.05 Lux
Auto Electronic Shutter	1/5 ~ 1/20000s
IR Distance	30 Meters
Compression	H.265/H.264
Video bit rate	256Kbps ~ 8Mbps
Interface	RJ45 10M / 100M Ethernet
Network Functions	TCP/IP,HTTP,DHCP,DNS,DDNS,RTP/RTSP,PP-PoE,SMTP,NTP,UPnP,SNMP,HTTPS,FTP
Network Monitoring	Web browser, Client Software, Android & IOS
Power	12vDC/POE
Consumption	< 7W
Dimension	Ø100x82 mm
Weight	260g
Storage Temperature	-30°C+60°C
Operating Temperature	-30°C+55°C



REKIP4KB2W
4 Channel CCTV System



- Complete with NVR, IP Cameras, Cable & System Power Supply
- HD 2MP Resolution Viewing and Recording
- 4CH POE NVR- Power Over Ethernet
- 2 x 2MP, Day/ Night, Weatherproof, Bullet Style IP Cameras
- H.265 Video Compression for Efficient Storage
- Pre-Installed 1TB Premium Surveillance Hard Drive
- Remote Monitoring via APP (Android / IOS) or PC

- Playback / Record / Remote View Simultaneously
- Continuous / Scheduled / Motion Record Modes
- USB Backup for Evidence Transfer
- Mouse Driven User Menu
- Contents: NVR (HDD inc.), 2 x IP Cameras, 2 x 18.3 Meter Pre-terminated Network Cable, System Power Supply, Manual, HDMI Lead, Mouse Control

System	
Operating System	LINUX
Recording Bandwidth	50Mbps
POE	4CH (<100 Meters per Channel)
Video & Audio	
Video Input	4CH
Audio Output	1CH
Display	
Output	1 x HDMI, 1 x VGA
Display Split	1/4
Resolution	1024*768, 1280*720, 1280*1024, 1440*900, 1920*1080, 2560*1440, 3840*2160
Recording	
Compression	H.265/H.264
Resolution	2 Megapixel
Record Rate (Main Stream)	2 Megapixel
Recording Mode	Manual/Motion Detection/Schedule

Playback & Backup	
Sync Playback	2 Megapixel
Backup Mode	Network/2 x USB2.0
Network	
Ethernet	RJ-45 port (100/1000M)
Network Functions	HTTP, IPv4/IPv6, TCP/IP, UPNP, RTSP, UDP, SMTP, NTP, DHCP, DNS, PPPoE, DDNS, FTP
Network Monitoring	Web browser, Client Software, Android & IOS
Storage	
Internal HDD	1TB HDD
General	
NVR Power Consumption	<7W (without hard disk)
NVR Power Source	IEEE802.3af
Operation Condition	0°C – +55°C / 10% – 90%
Dimensions	300X227X53mm
External Power Supply	
Power Input	AC 110-240V
Power Output	DC48V/1.2A - 60W



White Kits

Grey Kits

REKIP4KB4G Grey **REKIP4KB4W** White
4 Channel CCTV System



- Complete with NVR, IP Cameras, Cable & System Power Supply
- HD 2MP Resolution Viewing and Recording
- 4CH POE NVR- Power Over Ethernet
- 4 x 2MP, Day/ Night, Weatherproof, Bullet Style IP Cameras
- H.265 Video Compression for Efficient Storage
- Pre-Installed 1TB Premium Surveillance Hard Drive
- Remote Monitoring via APP (Android / IOS) or PC

- Playback / Record / Remote View Simultaneously
- Continuous / Scheduled / Motion Record Modes
- USB Backup for Evidence Transfer
- Mouse Driven User Menu
- Contents: NVR (HDD inc.), 4 x IP Cameras, 4 x 18.3 Meter Pre-terminated Network Cable, System Power Supply, Manual, HDMI Lead, Mouse Control

System	
Operating System	LINUX
Recording Bandwidth	50Mbps
POE	4CH (<100 Meters per Channel)
Video & Audio	
Video Input	4CH
Audio Output	1CH
Display	
Output	1 x HDMI, 1 x VGA
Display Split	1/4
Resolution	1024*768, 1280*720, 1280*1024, 1440*900, 1920*1080, 2560*1440, 3840*2160
Recording	
Compression	H.265/H.264
Resolution	2 Megapixel
Record Rate (Main Stream)	2 Megapixel
Recording Mode	Manual/ Motion Detection/Schedule

Playback & Backup	
Sync Playback	2 Megapixel
Backup Mode	Network/ 2 x USB2.0
Network	
Ethernet	RJ-45 port (100/1000M)
Network Functions	HTTP, IPv4/IPv6, TCP/IP, UPNP, RTSP, UDP, SMTP, NTP, DHCP, DNS, PPPoE, DDNS, FTP
Network Monitoring	Web browser, Client Software, Android & IOS
Storage	
Internal HDD	1TB HDD
General	
NVR Power Consumption	<7W (without hard disk)
NVR Power Source	IEEE802.3af
Operation Condition	0°C – +55°C / 10% – 90%
Dimensions	300X227X53mm
External Power Supply	
Power Input	AC 110-240V
Power Output	DC48V/1.2A - 60W



REKIP4KD2W
4 Channel CCTV System



- Complete with NVR, IP Cameras, Cable & System Power Supply
- HD 2MP Resolution Viewing and Recording
- 4CH POE NVR- Power Over Ethernet
- 4 x 2MP, Day/ Night, Weatherproof, Dome Style IP Cameras
- H.265 Video Compression for Efficient Storage
- Pre-Installed 1TB Premium Surveillance Hard Drive
- Remote Monitoring via APP (Android / IOS) or PC

- Playback / Record / Remote View Simultaneously
- Continuous / Scheduled / Motion Record Modes
- USB Backup for Evidence Transfer
- Mouse Driven User Menu
- Contents: NVR (HDD inc.), 4 x IP Cameras, 4 x 18.3 Meter Pre-terminated Network Cable, System Power Supply, Manual, HDMI Lead, Mouse Control

System	
Operating System	LINUX
Recording Bandwidth	50Mbps
POE	4CH (<100 Meters per Channel)
Video & Audio	
Video Input	4CH
Audio Output	1CH
Display	
Output	1 x HDMI, 1 x VGA
Display Split	1/4
Resolution	1024*768, 1280*720, 1280*1024, 1440*900, 1920*1080, 2560*1440, 3840*2160
Recording	
Compression	H.265/H.264
Resolution	2 Megapixel
Record Rate (Main Stream)	2 Megapixel
Recording Mode	Manual/Motion Detection/Schedule

Playback & Backup	
Sync Playback	2 Megapixel
Backup Mode	Network/2 x USB2.0
Network	
Ethernet	RJ-45 port (100/1000M)
Network Functions	HTTP, IPv4/IPv6, TCP/IP, UPNP, RTSP, UDP, SMTP, NTP, DHCP, DNS, PPPoE, DDNS, FTP
Network Monitoring	Web browser, Client Software, Android & IOS
Storage	
Internal HDD	1TB HDD
General	
NVR Power Consumption	<7W (without hard disk)
NVR Power Source	IEEE802.3af
Operation Condition	0°C – +55°C / 10% – 90%
Dimensions	300X227X53mm
External Power Supply	
Power Input	AC 110~240V
Power Output	DC48V/1.2A – 60W



REKIP4KD4W White
4 Channel CCTV System



- Complete with NVR, IP Cameras, Cable & System Power Supply
- HD 2MP Resolution Viewing and Recording
- 4CH POE NVR- Power Over Ethernet
- 4 x 2MP, Day/ Night, Weatherproof, Dome Style IP Cameras
- H.265 Video Compression for Efficient Storage
- Pre-Installed 1TB Premium Surveillance Hard Drive
- Remote Monitoring via APP (Android / IOS) or PC

- Playback / Record / Remote View Simultaneously
- Continuous / Scheduled / Motion Record Modes
- USB Backup for Evidence Transfer
- Mouse Driven User Menu
- Contents: NVR (HDD inc.), 4 x IP Cameras, 4 x 18.3 Meter Pre-terminated Network Cable, System Power Supply, Manual, HDMI Lead, Mouse Control

System	
Operating System	LINUX
Recording Bandwidth	50Mbps
POE	4CH (<100 Meters per Channel)
Video & Audio	
Video Input	4CH
Audio Output	1CH
Display	
Output	1 x HDMI, 1 x VGA
Display Split	1/4
Resolution	1024*768, 1280*720, 1280*1024, 1440*900, 1920*1080, 2560*1440, 3840*2160
Recording	
Compression	H.265/H.264
Resolution	2 Megapixel
Record Rate (Main Stream)	2 Megapixel
Recording Mode	Manual/ Motion Detection/Schedule

Playback & Backup	
Sync Playback	2 Megapixel
Backup Mode	Network/ 2 x USB2.0
Network	
Ethernet	RJ-45 port (100/1000M)
Network Functions	HTTP, IPv4/IPv6, TCP/IP, UPNP, RTSP, UDP, SMTP, NTP, DHCP, DNS, PPPoE, DDNS, FTP
Network Monitoring	Web browser, Client Software, Android & IOS
Storage	
Internal HDD	1TB HDD
General	
NVR Power Consumption	<7W (without hard disk)
NVR Power Source	IEEE802.3af
Operation Condition	0°C – +55°C / 10% – 90%
Dimensions	300X227X53mm
External Power Supply	
Power Input	AC 110~240V
Power Output	DC48V/1.2A – 60W



5 Megapixel IP POE Cameras and NVRs



5MP Cameras



Premium Surveillance Hard Drive



ESP View App for Smart Devices



Power over Ethernet Connection



Pan and Tilt Options



Motorized Lens Cameras

Fixed Lens Cameras



Ingress Protection Rating



Suitable for use during Day and Night



Efficient Data Storage



Impact Rating



360° Rotation



- (C36F) 3.6mm Fixed Camera
- (C28F) 2.8mm Fixed Camera
- (C2812VF) 2.8mm -12mm Varifocal Camera
- (C550VF) 5mm -50mm Varifocal Camera
- (C11F) 1.1mm Fisheye Camera
- (CPTZ) Pan, Tilt, Zoom Camera
- (4R) 4 Channel CCTV Recorder
- (8R) 8 Channel CCTV Recorder
- (16R) 16 Channel CCTV
- (32R) 32 Channel CCTV

- NVR's Only
- (2TB) 2TB Hard Drive
- (4TB) 4TB Hard Drive
- (8TB) 8TB Hard Drive
- (12TB) 12TB Hard Drive
- (16TB) 16TB Hard Drive



Code (White)	Code (Grey)	Description
--------------	-------------	-------------

HDview IP 5MP Cameras		
HDVIP28FDW2	HDVIP28FDG2	HDview IP Dome POE 5MP Camera 2.8mm
HDVIP28FBW2	HDVIP28FBG2	HDview IP Bullet POE 5MP Camera 2.8mm
HDVIP28FDWAV2		HDview IP Dome POE 5MP Camera Fixed 2.8mm Vandal
HDVIP2812VFBW2	HDVIP2812VFBG2	HDview IP Bullet POE 5MP Camera Varifocal 2.8-12mm
HDVIP2812VFDW	HDVIP2812VFDG2	HDview IP Dome POE 5MP Camera Varifocal 2.8-12mm
HDVIP2812VFDWAV	HDVIP2812VFDGAV	HDview IP Dome POE 5MP Camera Varifocal 2.8-12mm Vandal
HDVIPPTZ		HDview IP PTZ Dome POE 5MP Camera
HDVIP11FDW		HDview IP Fisheye POE 5MP Camera 1.1mm
HDVIP550VFBW		HDview IP Bullet POE 5MP Camera 5-50mm

Code	Description
------	-------------

HDview IP NVR's	
HDVIP4R	HDview IP 4 Channel NVR 5MP (1TB)
HDVIP4R2TB	HDview IP 4 Channel NVR 5MP (2TB)
HDVIP4R4TB	HDview IP 4 Channel NVR 5MP (4TB)
HDVIP4R8TB	HDview IP 4 Channel NVR 5MP (8TB)
HDVIP8R	HDview IP 8 Channel NVR 5MP (1TB)
HDVIP8R2TB	HDview IP 8 Channel NVR 5MP (2TB)
HDVIP8R4TB	HDview IP 8 Channel NVR 5MP (4TB)
HDVIP8R8TB	HDview IP 8 Channel NVR 5MP (8TB)
HDVIP116R	HDview IP 16 Channel NVR 5MP (4TB)
HDVIP116R8TB	HDview IP 16 Channel NVR 5MP (8TB)
HDVIP116R12TB	HDview IP 16 Channel NVR 5MP (12TB)
HDVIP16R16TB	HDview IP 16 Channel NVR 5MP (16TB)
HDVIP132R	HDview IP 32 Channel NVR 5MP (4TB)
HDVIP132R8TB	HDview IP 32 Channel NVR 5MP (8TB)
HDVIP132R12TB	HDview IP 32 Channel NVR 5MP (12TB)
HDVIP132R16TB	HDview IP 32 Channel NVR 5MP (16TB)



- HD 5MP Resolution
- 2.8mm Fixed Lens
- 1/2.7" Image Sensor
- 30m Infrared LED Illumination
- 97° Viewing Angle
- H.265 Compression
- ONVIF Compliant
- Additional Features: SD Storage / Microphone
- IP66 Housing Ingress Protection
- 12vDC/PoE
- <7W Power Consumption
- Operating Temperature: -30 - +55°C

Sensor Size	1/2.7"
Lens Size	2.8mm
Effective Pixels	5MP (2592 x 1944)
Ingress Protection	IP66
Minimum Illumination	0.05 Lux
Auto Electronic Shutter	1/5 - 1/20000s
IR Distance	30 metres
Compression	H.265
Video Bit Rate	256Kbps - 8Mbps
Interface	RJ45 10/100 BASE-T
Network Protocol	TCP/IP,HTTP,DHCP,DNS,DDNS,RTSP,RTSP,SMP,NTTP,UPnP,SNMP,HTTPS,FTP
Storage	Micro SD Card (<256GB)
Power	12V DC/PoE
Consumption	<9W
Dimensions	72mm x 72mm x 151mm
Weight	250g

HDVIPC28FBW2

IP 5MP Bullet 2.8mm Camera White



- HD 5MP Resolution
- 2.8mm Fixed Lens
- 1/2.7" Image Sensor
- 30m Infrared LED Illumination
- 97° Viewing Angle
- H.265 Compression
- ONVIF Compliant
- Additional Features: SD Storage / Microphone
- IP66 Housing Ingress Protection
- 12vDC/PoE
- <7W Power Consumption
- Operating Temperature: -30 - +55°C

Sensor Size	1/2.7"
Lens Size	2.8mm
Effective Pixels	5MP (2592 x 1944)
Ingress Protection	IP66
Minimum Illumination	0.05 Lux
Auto Electronic Shutter	1/5 - 1/20000s
IR Distance	30 metres
Compression	H.265
Video Bit Rate	256Kbps - 8Mbps
Interface	RJ45 10/100 BASE-T
Network Protocol	TCP/IP,HTTP,DHCP,DNS,DDNS,RTSP,RTSP,SMP,NTTP,UPnP,SNMP,HTTPS,FTP
Storage	Micro SD Card (<256GB)
Power	12V DC/PoE
Consumption	<9W
Dimensions	100mm x 100mm 82mm
Weight	250g

HDVIPC28FBG2

IP 5MP Bullet 2.8mm Camera Grey



IPCDBW White Camera Deep Base
IPCDBG Grey Camera Deep Base

- HD 5MP Resolution
- 2.8-12mm Varifocal Lens (Motorized)
- 1/2.7" Image Sensor
- 45m Infrared LED Illumination
- 102° - 31° Viewing Angle
- H.265 Compression
- ONVIF Compliant
- Additional Features: SD storage / Audio I/O
- IP66 Housing Ingress Protection
- 256Kbps-8Mbps bit Rate
- 12vDC/POE

Sensor Size	1/2.7"
Lens	2.8-12mm
Effective Pixels	5MP (2592 X 1944)
Ingress Protection	IP66
Minimum Illumination	0.05 Lux
Auto Electronic Shutter	1/5 - 1/20000s
IR Distance	45 Meters
Compression	H.265/H.264
Video bit rate	256Kbps - 8Mbps
Interface	RJ45 10M / 100M Ethernet
Network Functions	TCP/IP,HTTP,DHCP,DNS,DDNS,RTSP,RTSP,PPPoE,SMP,NTTP,UPnP,SNMP,HTTPS,FTP
Network Monitoring	Web browser, Client Software, Android & IOS
Storage	microSD Card (<128G Capacity)
Audio	I/O
Power	12vDC/PoE
Consumption	<9W
Dimension	Ø88x240mm
Weight	805g
Storage Temperature	-30°C+60°C
Operating Temperature	-30°C+55°C

Grey 2.8-12mm Lens 5MP IP Bullet Camera **HDVIPC2812VFBG2**
White 2.8-12mm Lens 5MP IP Bullet Camera **HDVIPC2812VFBW2**



- HD 5MP Resolution
- 2.8-12mm Varifocal Lens (Motorized)
- 1/2.7" Image Sensor
- 45m Infrared LED Illumination
- 31 - 102° Viewing Angle
- H.265 Compression
- ONVIF Compliant
- Additional Features: SD Storage / Audio I/O
- IP66 Housing Ingress Protection
- 256Kbps-8Mbps Bit Rate
- 12vDC/PoE
- <9W Power Consumption
- Operating Temperature: -30 - +60°
- Dimensions: 126 x 126 x 103mm
- Weight: 735g

Sensor Size	1/2.7"
Lens Size	2.8 - 12mm
Effective Pixels	5MP (2592 x 1944)
Ingress Protection	IP66
Minimum Illumination	0.05 Lux
Auto Electronic Shutter	1/5 - 1/20000s
IR Distance	45 metres
Compression	H.265
Video Bit Rate	256Kbps - 8Mbps
Interface	RJ45 10/100 BASE-T
Network Protocol	TCP/IP,HTTP,DHCP,DNS,DDNS,RTSP,RTSP,SMP,NTTP,UPnP,SNMP,HTTPS,FTP
Storage	Micro SD Card (<256GB)
Audio	I/O
Power	12V DC/PoE
Consumption	<9W
Dimensions	126mm x 126mm x 103mm
Weight	735g



IPCDBW White Camera Deep Base

HDVIPC2812VFDW2
White 2.8-12mm Lens 5MP IP Dome Camera





- HD 5MP Resolution
- 2.8-12mm Varifocal Lens (Motorized)
- 1/2.7" Image Sensor
- 45m Infrared LED Illumination
- 31 - 102° Viewing Angle
- H.265 Compression
- ONVIF Compliant
- Additional Features: SD Storage / Audio I/O
- IP66 Housing Ingress Protection
- 256Kbps-8Mbps Bit Rate
- 12vDC/PoE
- <9W Power Consumption

Sensor Size	1/2.7"
Lens Size	2.8 - 12mm
Effective Pixels	5MP (2592 x 1944)
Ingress Protection	IP66
Minimum Illumination	0.05 Lux
Auto Electronic Shutter	1/5 - 120000s
IR Distance	45 metres
Compression	H.265
Video Bit Rate	256Kbps - 8Mbps
Interface	RJ45 10/100 BASE-T
Network Protocol	TCP/IP,HTTP,DHCP,DNS,DDNS,RTSP,RTSP,SMTP,NTP,UPnP,SNMP,HTTP,FTP
Storage	Micro SD Card (<256GB)
Audio	I/O
Power	12V DC/PoE
Consumption	<9W
Dimensions	126mm x 126mm x 103mm
Weight	735g

HDVIP2812VFDG2
Grey 2.8-12mm Lens 5MP IP Dome Camera



- HD 5MP Resolution
- 2.8mm Fixed Lens
- 1/2.7" Image Sensor
- 30m Infrared LED Illumination
- 97° Viewing Angle
- H.265 Compression
- ONVIF Compliant
- Additional Features: SD Storage / Microphone
- IP66 Housing Ingress Protection
- 12vDC/PoE
- <7W Power Consumption
- Operating Temperature: -30 - +55 °C

Sensor Size	1/2.7"
Lens Size	2.8mm
Effective Pixels	5MP (2592 x 1944)
Ingress Protection	IP66
Minimum Illumination	0.05 Lux
Auto Electronic Shutter	1/5 - 120000s
IR Distance	30 metres
Compression	H.265
Video Bit Rate	256Kbps - 8Mbps
Interface	RJ45 10/100 BASE-T
Network Protocol	TCP/IP,HTTP,DHCP,DNS,DDNS,RTSP,RTSP,SMTP,NTP,UPnP,SNMP,HTTP,FTP
Storage	Micro SD Card (<256GB)
Power	12V DC/PoE
Consumption	<9W
Dimensions	72mm x 72mm 151mm
Weight	250g

HDVIP28FDW2 IP 5MP Dome 2.8mm Camera White

HDVIP28FDG2 IP 5MP Dome 2.8mm Camera Grey



- HD 5MP Resolution
- 5-50mm Varifocal Lens (Motorized)
- 1/2.7" Image Sensor
- 60m Infrared LED Illumination
- 45-7° Viewing Angle
- H.265 Compression
- ONVIF Compliant
- IP66 Housing Ingress Protection

Sensor Size	1/2.7"
Lens	5-50mm
Effective Pixels	5MP (2592 X 1944)
Ingress Protection	IP66
Minimum Illumination	0.05 Lux
Auto Electronic Shutter	1/5 - 1/20000s
IR Distance	60 Meters
Compression	H.265/H.264
Video bit rate	256Kbps - 8Mbps
Interface	RJ45 10M / 100M Ethernet
Network Functions	TCP/IP,HTTP,DHCP,DNS,DDNS,RTSP,RTSP,PPPoE,SMTP,NTP,UPnP,SNMP,HTTP,FTP
Network Monitoring	Web browser, Client Software, Android & IOS
Power	12vDC/PoE
Consumption	<8W

HDVIP550VFBW
White 5-50mm Lens 5MP IP Bullet Camera



- HD 5MP Resolution
- 4.8-86.4mm Varifocal Lens (18x Zoom)
- Full Pan, tilt and zoom operation
- Full 360° rotation pan function
- 1/2.5" Image Sensor
- 60m Infrared LED Illumination
- 61.2-2.32° Viewing Angle
- H.265 Compression
- ONVIF Compliant
- IP66 Housing Ingress Protection
- Powered via Supplied PSU or POE Injector Required

Sensor Size	1/2.5"
Lens	4.8-86.4mm
Effective Pixels	5MP (2592 X 1944)
Ingress Protection	IP66
Minimum Illumination	0.1 Lux
Auto Electronic Shutter	1/2 - 1/20000s
IR Distance	60 Meters
Compression	H.265/H.264
Video bit rate	8Kbps - 8Mbps
Interface	RJ45 10M / 100M Ethernet
Network Functions	IPV4/IPV6,HTTP,HTTPS,802.1x,Qos,FTP,SMTP,UPnP,SNMP,DNS,DDNS,NTP,RTSP,RTSP,IP,UDP,IGMP,ICMP,DHCP,PPPoE
Network Monitoring	Web browser, Client Software
Power	12vDC/PoE
Consumption	< 30W
Dimension	208 X 251mm (Excludes bracket)
Weight	4kg
Storage Temperature	-30°C+60°C
Operating Temperature	-30°C+55°C

HDVIPPTZC
4.8-86.4mm Lens 5MP IP PTZ Camera





- HD 5MP Resolution
- 2.8-12mm Varifocal Lens (Motorized)
- 1/2.7" Image Sensor
- 45m Infrared LED Illumination
- 103 - 51° Viewing Angle
- H.265 Compression
- ONVIF Compliant
- Additional Features: SD storage / Alarm Trigger Input & output / Audio I&O/Reset
- IP66 Housing Ingress Protection
- IK10 Impact Protection

Sensor Size	1/2.7"
Lens	2.8-12mm
Effective Pixels	5MP (2592 X 1944)
Ingress Protection	IP66
Impact Rating	IK10
Minimum Illumination	0.05 Lux
Auto Electronic Shutter	1/5 - 1/20000s
IR Distance	45 Meters
Compression	H.265/H.264
Video bit rate	256Kbps - 8Mbps
Interface	RJ45 10M / 100M Ethernet
Network Functions	TCP/IP,HTTP,DHCP,DNS,DDNS,RTP/RTSP,PPPoE,SMTP,NT-P,UPnP,SNMP,HTTP,FTP
Network Monitoring	Web browser, Client Software, Android & IOS
Storage	microSD Card (<128G Capacity)
Alarm	I/O
Audio	I/O
Power	12vDC/POE
Consumption	< 7W
Dimension	Ø147X117mm
Weight	1067g
Storage Temperature	-30°C+60°C
Operating Temperature	-30°C+55°C

HDVIP2812VFDWAV

White 2.8-12mm Lens 5MP IP Vandal Resistant Dome Camera



- HD 5MP Resolution
- 2.8 mm Fixed Lens
- 1/2.7" Image Sensor
- 30m Infrared LED Illumination
- 92° Viewing Angle
- H.265 Compression
- ONVIF Compliant
- IP66 Housing Ingress Protection
- IK10 Impact Protection

Sensor Size	1/2.7"
Lens	2.8mm
Effective Pixels	5MP (2592 X 1944)
Ingress Protection	IP66
Impact Rating	IK10
Minimum Illumination	0.05 Lux
Auto Electronic Shutter	1/5 - 1/20000s
IR Distance	30 Meters
Compression	H.265/H.264
Video bit rate	256Kbps - 8Mbps
Interface	RJ45 10M / 100M Ethernet
Network Functions	TCP/IP,HTTP,DHCP,DNS,DDNS,RTP/RTSP,PPPoE,SMTP,NT-P,UPnP,SNMP,HTTP,FTP
Network Monitoring	Web browser, Client Software, Android & IOS
Power	12vDC/POE
Consumption	<7W
Dimension	Ø115mm x 91.6mm
Weight	520g
Storage Temperature	-30°C -60°C
Operating Temperature	-30°C -55°C

HDVIP2812VFDWAV2

White 2.8mm Lens 5MP IP Vandal Resistant Dome Camera



- HD 5MP Resolution
- 2.8-12mm Varifocal Lens (Motorized)
- 1/2.7" Image Sensor
- 45m Infrared LED Illumination
- 103 - 51° Viewing Angle
- H.265 Compression
- ONVIF Compliant
- Additional Features: SD storage / Alarm Trigger Input & output / Audio I&O/Reset
- IP66 Housing Ingress Protection
- IK10 Impact Protection

Sensor Size	1/2.7"
Lens	2.8-12mm
Effective Pixels	5MP (2592 X 1944)
Ingress Protection	IP66
Impact Rating	IK10
Minimum Illumination	0.05 Lux
Auto Electronic Shutter	1/5 - 1/20000s
IR Distance	45 Meters
Compression	H.265/H.264
Video bit rate	256Kbps - 8Mbps
Interface	RJ45 10M / 100M Ethernet
Network Functions	TCP/IP,HTTP,DHCP,DNS,DDNS,RTP/RTSP,PPPoE,SMTP,NT-P,UPnP,SNMP,HTTP,FTP
Network Monitoring	Web browser, Client Software, Android & IOS
Storage	microSD Card (<128G Capacity)
Alarm	I/O
Audio	I/O
Power	12vDC/POE
Consumption	< 7W
Dimension	Ø147X117mm
Weight	1067g
Storage Temperature	-30°C+60°C
Operating Temperature	-30°C+55°C

HDVIP2812VFDGAV

Grey 2.8-12mm Lens 5MP IP Vandal Resistant Dome Camera



- HD 5MP Resolution
- 1.1mm Fixed Lens
- 1/2.9" Image Sensor
- 5m Infrared LED Illumination
- 360° Viewing Angle
- H265 Compression
- ONVIF Compliant
- Additional Features: SD Storage / Alarm Trigger Input & Output/Audio I&O / Video Output
- IP64 Housing Ingress Protection
- Suitable for NVR Models HDVIP16R, HDVIP32R Only and PC Viewing

Sensor Size	1/2.9"
Lens	1.1mm
Effective Pixels	5MP (2160 x 2160)
Ingress Protection	IP64
Minimum Illumination	0.1 Lux
Auto Electronic Shutter	1/5 - 1/20000s
IR Distance	5 Meters
Compression	H.265/H.264
Video bit rate	8Kbps - 8Mbps
Interface	RJ45 10M / 100M Ethernet
Network Functions	TCP/IP,HTTP,DHCP,DNS,DDNS,RTP/RTSP,PPPoE,SMTP,NT-P,UPnP,SNMP,HTTP,FTP
Network Monitoring	Web browser, Client Software, Android & IOS
Storage	microSD Card (<128G Capacity)
Alarm	I/O
Audio	Mic.
Video Out	CVBS
Power	12vDC/POE
Consumption	< 5W
Dimension	Ø120*55mm
Weight	400g
Storage Temperature	-30°C+60°C
Operating Temperature	-30°C+55°C

HDVIP11FDW

White 1.1mm Lens 5MP IP Dome Camera





HDVIP4R
4 Channel HD 1TB NVR



- HD 5MP Resolution Viewing and Recording
- 4CH POE NVR- Power Over Ethernet
- H.265 Video Compression for Efficient Storage
- ONVIF Compliant
- Premium Surveillance Hard Drive (1TB, 2TB, 4TB, 8TB Options)
- Remote Monitoring via APP (Android / IOS) or PC

- Playback / Record / Remote View Simultaneously
- Continuous / Scheduled / Motion Record Modes
- HDMI Output (4K)
- USB Backup for Evidence Transfer
- Mouse Driven User Menu
- Contents: NVR, Power Supply, Manual, HDMI Lead, Mouse Control

System	
Operating System	LINUX
Recording Bandwidth	50Mbps
POE	4CH (<100 Meters per Channel)
Video & Audio	
Video Input	4CH
Audio Output	1CH
Display	
Output	1 x HDMI, 1 x VGA
Display Split	1/4
Resolution	1024*768, 1280*720, 1280*1024, 1440*900, 1920*1080, 2560*1440, 3840*2160
Recording	
Compression	H.265/H.264
Resolution	5 Megapixel
Record Rate (Main Stream)	5 Megapixel
Recording Mode	Manual/Motion Detection/Schedule

Playback & Backup	
Sync Playback	5 Megapixel
Backup Mode	Network/2 x USB2.0
Network	
Ethernet	RJ-45 port (100/1000M)
Network Functions	HTTP, IPv4/IPv6, TCP/IP, UPNP, RTSP, UDP, SMTP, NTP, DHCP, DNS, PPPoE, DDNS, FTP
Network Monitoring	Web browser, Client Software, Android & IOS
Storage	
Internal HDD	<8TB HDD
General	
NVR Power Consumption	<7W (without hard disk)
NVR Power Source	IEEE802.3af
Operation Condition	0°C – +55°C / 10% – 90%
Dimensions	300X227X53mm
External Power Supply	
Power Input	AC 110~240V
Power Output	DC48V/1.2A - 60W



HDVIP8R2TB
8 Channel HD 2TB NVR



- HD 5MP Resolution Viewing and Recording
- 8CH POE NVR- Power Over Ethernet
- H.265 Video Compression for Efficient Storage
- ONVIF Compliant
- Premium Surveillance Hard Drive (1TB, 2TB, 4TB, 8TB Options)
- Remote Monitoring via APP (Android / IOS) or PC

- Playback / Record / Remote View Simultaneously
- Continuous / Scheduled / Motion Record Modes
- HDMI Output (4K)
- USB Backup for Evidence Transfer
- Mouse Driven User Menu
- Contents: NVR, Power Supply, Manual, HDMI Lead, Mouse Control

System	
Operating System	LINUX
Recording Bandwidth	80Mbps
POE	8CH (<100 Meters per Channel)
Video & Audio	
Video Input	8CH
Audio Output	1CH
Display	
Output	1 x HDMI, 1 x VGA
Display Split	1/4/6/8/9
Resolution	1024*768, 1280*720, 1280*1024, 1440*900, 1920*1080, 2560*1440, 3840*2160
Recording	
Compression	H.265/H.264
Resolution	5 Megapixel
Record Rate (Main Stream)	5 Megapixel
Recording Mode	Manual/ Motion Detection/Schedule

Playback & Backup	
Sync Playback	5 Megapixel
Backup Mode	Network/2 x USB2.0
Network	
Ethernet	RJ-45 port (100/1000M)
Network Functions	HTTP, IPv4/IPv6, TCP/IP, UPNP, RTSP, UDP, SMTP, NTP, DHCP, DNS, PPPoE, DDNS, FTP
Network Monitoring	Web browser, Client Software, Android & IOS
Storage	
Internal HDD	<8TB HDD
General	
NVR Power Consumption	<7W (without hard disk)
NVR Power Source	IEEE802.3af
Operation Condition	0°C – +55°C / 10% – 90%
Dimensions	300X227X53mm
External Power Supply	
Power Input	AC 110~240V
Power Output	DC48V/1.5A - 80W



HDVIP116R
IP PoE 5MP 16CH NVR 4TB



- Supports up to 16 IP PoE CCTV Cameras
- Records up to 5MP
- Premium Surveillance Hard Drive pre-installed

- USB back up of recordings for easy evidence transfer
- Remote Monitoring via APP (Android / IOS) or CMS (PC / MAC)

Video & Audio	
Video Input	16 IP PoE Ports
Audio Outputs	1 RCA
Display	
Video Output	VGA & 2 x HDMI
Display Split	1/4/6/8/9/10/10-1/12/13/13-1/14/16
Resolutions	
	HDMI 1 (Full GUI): 1024*768, 1280*720, 1280*1024, 1440*900, 1920*1080, 3840*2160/EDID
	HDMI 2 (Limited GUI): 1024*768, 1280*720, 1280*1024, 1440*900, 1920*1080
	VGA (Full GUI): 1024*768, 1280*720, 1280*1024, 1440*900, 1920*1080
Recording	
Video Compression	H.264 / H.265
Resolution	Up to 5MP

Playback & Backup	
Sync Playback	16 Channels
Backup Modes	Network / USB Devices
Network	
Ethernet	RJ45 10/100M
Network Monitoring	Web Browsers, CMS, Android & iOS App
Storage	
Storage Mediums	2 x SATA Connections
Maximum Supported Storage Volume	16 TB (8TB per SATA)
Supplied Storage Volume	4 Terabyte
General	
Operating Voltage	110 to 240V AC
Operating Consumption	<12W
Operating Temperature	-10° C to +55° C



HDVIP132R
IP PoE 5MP 32CH NVR 4TB



- Supports up to 32 IP CCTV Cameras
- Records up to 5MP
- Premium Surveillance Hard Drive pre-installed

- USB back up of recordings for easy evidence transfer
- Remote Monitoring via APP (Android / IOS) or CMS (PC / MAC)

Video Input	
	16 IP PoE Ports
	16 Digital Channels
Total Input Channels	32
Audio Outputs	1 RCA
Display	
Video Output	VGA & 2 x HDMI
Display Split	1/4/6/8/9/10/10-1/12/13/13-1/14/16/17/19/20/22/25/32/36
Resolutions	
	HDMI 1 (Full GUI): 1024*768, 1280*720, 1280*1024, 1440*900, 1920*1080, 3840*2160/EDID
	HDMI 2 (Limited GUI): 1024*768, 1280*720, 1280*1024, 1440*900, 1920*1080
	VGA (Full GUI): 1024*768, 1280*720, 1280*1024, 1440*900, 1920*1080
Recording	
Video Compression	H.264 / H.265
Resolution	Up to 5MP

Playback & Backup	
Sync Playback	16 Channels
Backup Modes	Network / USB Devices
Network	
Ethernet	RJ45 10/100M
Network Monitoring	Web Browsers, CMS, Android & iOS App
Storage	
Storage Mediums	2 x SATA Connections
Maximum Supported Storage Volume	4 Terabyte
Supplied Storage Volume	16 Terabyte
General	
Operating Voltage	110 to 240V AC
Operating Consumption	<12W
Operating Temperature	-10° C to +55° C

HDview

4 Megapixel Cameras, DVRs and Kits



4MP Cameras



Premium Surveillance Hard Drive



HDview App for Smart Devices



OSD Menu



Varifocal Lens Cameras

Fixed Lens Cameras



Ingress Protection Rating



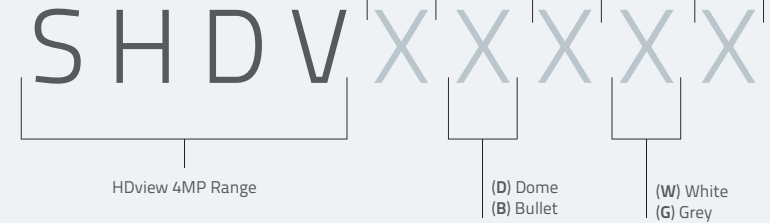
Suitable for use during Day and Night



360° Rotation



- (C36F) 3.6mm Fixed Camera
- (C2812VF) 2.8-12mm Vari-Focal Camera
- (C622VF) 6-22mm Vari-Focal Camera
- (C550VF) 5-50mm Vari-Focal Camera
- (4R) 4 Channel CCTV Recorder
- (8R) 8 Channel CCTV Recorder
- (16R) 16 Channel CCTV Recorder
- (4K) 4 Channel CCTV Kit
- (8K) 8 Channel CCTV Kit



Code (White)	Code (Grey)	Description
SHDVC36FDW	SHDVC36FDG	4MP Super HD Dome CCTV Camera, 3.6mm Fixed Lens
SHDVC2812VFDW		4MP Super HD Dome CCTV Camera, 2.8-12mm Vari-Focal Lens
SHDVC622VFDW	N/A	4MP Super HD Dome CCTV Camera, 6-22mm Vari-Focal Lens
SHDVC36FBW	SHDVC36FBG	4MP Super HD Bullet CCTV Camera, 3.6mm Fixed Lens
	SHDVC2812VFBG	4MP Super HD Bullet CCTV Camera, 2.8-12mm Vari-Focal Lens
SHDVC622VFBW		4MP Super HD Bullet CCTV Camera, 6-22mm Vari-Focal Lens
SHDVC550VFBW	SHDVC550VFBG	4MP Super HD Bullet CCTV Camera, 5-50mm Vari-Focal Lens
	SHDV4R	4MP Super HD 4 Channel CCTV Recorder
	SHDV8R	4MP Super HD 8 Channel CCTV Recorder
	SHDV16R	4MP Super HD 16 Channel CCTV Recorder
SHDV4KD2W	SHDV4KD2G	4MP Super HD 4 Channel CCTV Dome Kit - 2 Cameras (500GB, 1TB, 2TB, 4TB & 8TB hard drive options)
SHDV4KD4W	SHDV4KD4G	4MP Super HD 4 Channel CCTV Dome Kit - 4 Cameras (500GB, 1TB, 2TB, 4TB & 8TB hard drive options)
SHDV8KD4W	SHDV8KD4G	4MP Super HD 8 Channel CCTV Dome Kit - 4 Cameras (1TB, 2TB, 4TB & 8TB hard drive options)
SHDV4KB2W	SHDV4KB2G	4MP Super HD 4 Channel CCTV Bullet Kit - 2 Cameras (500GB, 1TB, 2TB, 4TB & 8TB hard drive options)
SHDV4KB4W	SHDV4KB4G	4MP Super HD 4 Channel CCTV Bullet Kit - 4 Cameras (500GB, 1TB, 2TB, 4TB & 8TB hard drive options)
SHDV8KB4W	SHDV8KB4G	4MP Super HD 8 Channel CCTV Bullet Kit - 4 Cameras (1TB, 2TB, 4TB & 8TB hard drive options)



SHDVCDBLG Large Grey Camera Deep Base
SHDVCDBLW Large White Camera Deep Base

- 5 to 50mm Varifocal Lens
- High Definition 4MP AHD sensor
- Built in 50m Infrared LED Illumination
- Viewing Angle 42.1~ 6.3°
- D-WDR incorporating ATR
- 2D and 3D Noise Reduction
- Exposure Control
- High Light Compensation
- 3-Axis Cable Management Bracket
- IP66 Weatherproof Bullet Housing in Metal

Sensor Size	1/3"
Effective Pixels	NTSC/ PAL:2560(H)x1440(V)
Resolution	4 MP (2688 x 1520)
Minimum Illumination	0.1 Lux
Scanning System	Progressive
Auto Electronic Shutter	NTSC: 1/60s~1/100,000s, PAL: 1/50s~1/100,000s
IR Distance	50 Meters
Video Output	1Vpp, 75 ohms
Auto Gain Control	Auto
Power/Current	DC12V(+/-10%)/720mA
Lens	5-50mm Manual Zoom
Dimension	Ø104 x 276 (L) mm inc. Bracket
Weight	1190g
Storage Temperature	-30 ~ +60°C RH95% Max
Operating Temperature	-10 ~ +50°C RH95% Max

SHDVC550VFBG Grey 5-50mm Lens 4MP HD Camera
SHDVC550VFBW White 5-50mm Lens 4MP HD Camera



SHDVCDBLW Large White Camera Deep Base

- 6 to 22mm Varifocal Lens
- High Definition 4MP AHD sensor
- Built in 50m Infrared LED Illumination
- Viewing Angle 37.2~ 14.4°
- D-WDR incorporating ATR
- 2D and 3D Noise Reduction
- Exposure Control
- High Light Compensation
- 3-Axis Cable Management Bracket
- IP66 Weatherproof Bullet Housing in Metal

Sensor Size	1/3"
Effective Pixels	NTSC/ PAL:2560(H)x1440(V)
Resolution	4 MP (2688 x 1520)
Minimum Illumination	0.1 Lux
Scanning System	Progressive
Auto Electronic Shutter	NTSC: 1/60s~1/100,000s, PAL: 1/50s~1/100,000s
IR Distance	50 Meters
Video Output	1Vpp, 75 ohms
Auto Gain Control	Auto
Power/Current	DC12V(+/-10%)/720mA
Lens	6-22mm Manual Zoom
Dimension	Ø104 x 276 (L) mm inc. Bracket
Weight	1190g
Storage Temperature	-30 ~ +60°C RH95% Max
Operating Temperature	-10 ~ +50°C RH95% Max

SHDVC622VFBW
 White 6-22mm Lens 4MP HD Camera



SHDVCDBG Grey Camera Deep Base

- 2.8 to 12mm Varifocal Lens
- High Definition 4MP AHD sensor
- Built in 30m Infrared LED Illumination
- Viewing Angle 98~ 34°
- D-WDR incorporating ATR
- 2D and 3D Noise Reduction
- Exposure Control
- High Light Compensation
- 3-Axis Cable Management Bracket
- IP66 Weatherproof Bullet Housing in Metal

Sensor Size	1/3"
Effective Pixels	NTSC/ PAL:2560(H)x1440(V)
Resolution	4 MP (2688 x 1520)
Minimum Illumination	0.1 Lux
Scanning System	Progressive
Auto Electronic Shutter	NTSC: 1/60s~1/100,000s, PAL: 1/50s~1/100,000s
IR Distance	30 Meters
Video Output	1Vpp, 75 ohms
Auto Gain Control	Auto
Power/Current	DC12V(+/-10%)/400mA
Lens	2.8-12mm Manual Zoom
Dimension	Ø75 x 211 (L) mm inc. Bracket
Weight	720g
Storage Temperature	-30 ~ +60°C RH95% Max
Operating Temperature	-10 ~ +50°C RH95% Max

SHDVC2812VFBG
 Grey 2.8-12mm Lens 4MP HD Camera



SHDVCDBG Grey Camera Deep Base
SHDVCDBW White Camera Deep Base

- 3.6mm Fixed Lens
- High Definition 4MP AHD sensor
- Built in 25m Infrared LED Illumination
- Viewing Angle 76°
- D-WDR incorporating ATR
- 2D and 3D Noise Reduction
- Exposure Control
- High Light Compensation
- 3-Axis Cable Management Bracket
- IP66 Weatherproof Bullet Housing in Metal

Sensor Size	1/3"
Effective Pixels	NTSC/ PAL:2560(H)x1440(V)
Resolution	4 MP (2688 x 1520)
Minimum Illumination	0.1 Lux
Scanning System	Progressive
Auto Electronic Shutter	NTSC: 1/60s~1/100,000s, PAL: 1/50s~1/100,000s
IR Distance	25 Meters
Video Output	1Vpp, 75 ohms
Auto Gain Control	Auto
Power/Current	DC12V(+/-10%)/300mA
Lens	3.6mm Fixed Lens
Dimension	Ø68 x 162 (L) mm inc. Bracket
Weight	400g
Storage Temperature	-30 ~ +60°C RH95% Max
Operating Temperature	-10 ~ +50°C RH95% Max

SHDVC36FBG Grey 3.6mm Lens 4MP HD Camera
SHDVC36FBW White 3.6mm Lens 4MP HD Camera





- Vandal resistant
- 6 to 22mm Varifocal Lens
- High Definition 4MP AHD sensor
- 30m Infrared LED Illumination
- Viewing Angle 40- 15°
- D-WDR incorporating ATR
- 2D and 3D Noise Reduction
- Exposure Control
- High Light Compensation
- 3-Axis Cable Management Bracket
- IP66 Weatherproof Dome Housing

Sensor Size	1/3"
Effective Pixels	NTSC/ PAL:2560(H)x1440(V)
Resolution	4 MP (2688 x 1520)
Minimum Illumination	0.1 Lux
Scanning System	Progressive
Auto Electronic Shutter	NTSC: 1/60s-1/100,000s, PAL: 1/50s-1/100,000s
IR Distance	30 Meters
Video Output	1Vpp, 75 ohms
Auto Gain Control	Auto
Power/Current	DC12V(+/-10%)/450mA
Lens	6-22mm Manual Zoom
Dimension	Ø 138 x 119 (H) mm inc. Base
Weight	1070g
Storage Temperature	-30 ~ +60°C RH95% Max
Operating Temperature	-10 ~ +50°C RH95% Max

SHDVC622VFDW
White 6-22mm Lens 4MP HD Camera



- 3.6mm Fixed Lens
- High Definition 4MP AHD sensor
- Built in 25m Infrared LED Illumination
- Viewing Angle 76°
- D-WDR incorporating ATR
- 2D and 3D Noise Reduction
- Exposure Control
- High Light Compensation
- IP66 Weatherproof Dome Housing in Metal

Sensor Size	1/3"
Effective Pixels	NTSC/ PAL:2560(H)x1440(V)
Resolution	4 MP (2688 x 1520)
Minimum Illumination	0.1 Lux
Scanning System	Progressive
Auto Electronic Shutter	NTSC: 1/60s-1/100,000s, PAL: 1/50s-1/100,000s
IR Distance	25 Meters
Video Output	1Vpp, 75 ohms
Auto Gain Control	Auto
Power/Current	DC12V(+/-10%)/220mA
Lens	3.6mm Fixed Lens
Dimension	Ø114 x 83 (H) mm inc. Base
Weight	350g
Storage Temperature	-30 ~ +60°C RH95% Max
Operating Temperature	-10 ~ +50°C RH95% Max



SHDVC36FDW
White 3.6mm Lens 4MP HD Camera



- 2.8 to 12mm Varifocal Lens
- High Definition 4MP AHD sensor
- 30m Infrared LED Illumination
- Viewing Angle 98- 34°
- D-WDR incorporating ATR
- 2D and 3D Noise Reduction
- Exposure Control
- High Light Compensation
- IP66 Weatherproof Dome Housing in Metal

Sensor Size	1/3"
Effective Pixels	NTSC/ PAL:2560(H)x1440(V)
Resolution	4 MP (2688 x 1520)
Minimum Illumination	0.1 Lux
Scanning System	Progressive
Auto Electronic Shutter	NTSC: 1/60s-1/100,000s, PAL: 1/50s-1/100,000s
IR Distance	30 Meters
Video Output	1Vpp, 75 ohms
Auto Gain Control	Auto
Power/Current	DC12V(+/-10%)/360mA
Lens	2.8-12mm Manual Zoom
Dimension	Ø 140 x 105 (H) mm inc. Base
Weight	690g
Storage Temperature	-30 ~ +60°C RH95% Max
Operating Temperature	-10 ~ +50°C RH95% Max

SHDVC2812VFDW
White 2.8-12mm Lens 4MP HD Camera



- 3.6mm Fixed Lens
- High Definition 4MP AHD sensor
- Built in 25m Infrared LED Illumination
- Viewing Angle 76°
- D-WDR incorporating ATR
- 2D and 3D Noise Reduction
- Exposure Control
- High Light Compensation
- IP66 Weatherproof Dome Housing in Metal

Sensor Size	1/3"
Effective Pixels	NTSC/ PAL:2560(H)x1440(V)
Resolution	4 MP (2688 x 1520)
Minimum Illumination	0.1 Lux
Scanning System	Progressive
Auto Electronic Shutter	NTSC: 1/60s-1/100,000s, PAL: 1/50s-1/100,000s
IR Distance	25 Meters
Video Output	1Vpp, 75 ohms
Auto Gain Control	Auto
Power/Current	DC12V(+/-10%)/220mA
Lens	3.6mm Fixed Lens
Dimension	Ø114 x 83 (H) mm inc. Base
Weight	350g
Storage Temperature	-30 ~ +60°C RH95% Max
Operating Temperature	-10 ~ +50°C RH95% Max



SHDVC36FDG
Grey 3.6mm Lens 4MP HD Camera





SHDV4R 4 Channel Full HD 500GB DVR
SHDV8R 8 Channel Full HD 1TB CCTV DVR



- Hard drive options: SHDV4R - 500GB, 1TB, 2TB, 4TB or 8TB
- 4 Channel System (Supports up to 4 cameras)
- 4 Megapixel live view and recording
- Recording options – Continuous / Scheduled / Motion
- Remote view via ESP® HDview APP for smartphones
- USB back up of recordings for easy evidence transfer
- Video outputs HDMI / VGA for connection to a monitor
- Premium Surveillance Hard Drive pre-installed

- Programmable Spot Output
- CMS software included for remote viewing via a pc.
- Remote monitoring via wired connection or PowerLine Adapter (PLA)
- Mouse driven comprehensive user interface
- RS485 control for PTZ cameras
- Silent DVR operation

Playback & Backup

Sync Playback	SHDV4R - 4ch 4MP recording SHDV8R - 8ch 2MP recording
Backup Mode	Network/USB2.0 devices

Network

Ethernet	RJ45 10M/100M
Network Functions	HTTP, IPv4/IPv6, TCP/IP, UPNP, RTSP, UDP, SMTP, NTP, DHCP, DNS, PPPoE, DDNS, FTP
Network Monitoring	Web browsers, CMS, Android & iPhone apps

Storage

Internal HDD	1 SATA HDD, up to 8TB per HDD
--------------	-------------------------------

Auxiliary Interface

USB Interface	2
---------------	---

General

Power Supply	DC12V/2A
Power Consumption	<10W (without hard disk)
Operation Condition	0°C – +55°C / 10% – 90%
Dimensions	250(W)x230(D)x45(H)mm

System

Main Processor	Embedded Processor
Operating System	Embedded LINUX

Video & Audio

Video Input	SHDV4R - 4 channel BNC SHDV8R - 8 channel BNC
Audio Input	SHDV4R - 4 channel RCA SHDV8R - 4 channel RCA
Audio Output	1 channel RCA

Display

Video Output	1 x HDMI, 1 x VGA, 1 x Auxiliary
Display Split	SHDV4R - 1 and 4 SHDV8R - 1, 4 and 10
Resolution	1024 x768, 1280 x720, 1280 x1024, 1440 x900, 1920 x1080, 2560 x1440

Recording

Video/Audio Compression	H.264 Mainprofile/G.711A
Resolution	4 Megapixel
Record Rate (Main Stream)	SHDV4R - 4ch 4MP recording SHDV8R - 8ch 2MP recording
Recording Mode	Manual/Motion Detection/Schedule



SHDV116R
 Analogue 4MP 16CH DVR 2TB



- Supports up to 16 Analogue CCTV Cameras
- Records up to 4MP
- Premium Surveillance Hard Drive pre-installed

- USB back up of recordings for easy evidence transfer
- Remote Monitoring via APP (Android / IOS) or CMS (PC / MAC)

Video & Audio

Video Input	16 BNC Channels
Audio Inputs	16 Channels
Audio Outputs	1 RCA

Display

Video Output	HDMI, VGA & BNC
Display Split	1/4/6/8/9/10/10-1/12/13/13-1/14/16
Resolutions	HDMI: 1024*768, 1280*720, 1280*1024, 1440*900, 1920*1080, 2560*1440, 3840*2160/EDID 1024*768, 1280*720, 1280*1024, 1440*900, 1920*1080, 2560*1440, 3840*2160/EDID VGA: 1024*768, 1280*720, 1280*1024, 1440*900, 1920*1080 BNC: 704*576

Recording

Video Compression	H.264 / H.265
Resolution	Up to 4MP
Record Rate	16 Channels

Playback & Backup

Sync Playback	16 Channels
Backup Modes	Network / USB Devices

Network

Ethernet	RJ45 10/100M
Network Monitoring	Web Browsers, CMS, Android & iOS App

Storage

Storage Mediums	2 x SATA Connections
Maximum Supported Storage Volume	16 TB (8TB per SATA)
Supplied Storage Volume	2 Terabyte

General

Operating Voltage	12V DC
Operating Consumption	<12W
Operating Temperature	-10°C to +55°C



Grey Kits

White Kits

Please add colour to the code. G=Grey, W=White. e.g. SHDV4KD4G1TB



Grey Kits

White Kits

Please add colour to the code. G=Grey, W=White. e.g. SHDV4KD4W4TB

SHDV4KD2G

4 Channel Full HD 500GB CCTV System



- Complete with DVR, Cameras, Cable & System Power Supply
- 2 x 4MP HD day/night dome Cameras - SHDVC36FDG/SHDVC36FDW
- Hard drive options: SHDV4KD - 500GB, 1TB, 2TB, 4TB or 8TB
- 4 Channel System (Supports up to 4 cameras)
- 4 Megapixel live view and recording
- Recording options – Continuous / Scheduled / Motion
- Remote view via ESP[®] HDview APP for smartphones
- USB back up of recordings for easy evidence transfer
- Video outputs HDMI / VGA for connection to a monitor
- Premium Surveillance Hard Drive pre-installed
- Programmable Spot Output
- CMS software included for remote viewing via a pc
- Remote monitoring via wired connection or PowerLine Adapter (PLA)
- Mouse driven comprehensive user interface
- Silent DVR operation

System

Main Processor	Embedded Processor
Operating System	Embedded LINUX

Video & Audio

Video Input	SHDV4KD - 4 channel BNC SHDV8KD - 8 channel BNC
Audio Input	SHDV4KD - 4 channel RCA SHDV8KD - 4 channel RCA
Audio Output	1 channel RCA

Display

Video Output	1 x HDMI, 1 x VGA, 1 x Auxiliary
Display Split	SHDV4KD - 1 and 4 SHDV8KD - 1, 4 and 10
Resolution	1024 x768, 1280 x720, 1280 x1024, 1440 x900, 1920 x1080, 2560x1440

Recording

Video/Audio Compression	H.264 Mainprofile/G.711A
Resolution	4 Megapixel
Record Rate (Main Stream)	SHDV4KD - 4ch 4MP recording SHDV8KD - 8ch 2MP recording
Recording Mode	Manual/Motion Detection/Schedule

Playback & Backup

Sync Playback	SHDV4KD - 4ch 4MP recording SHDV8KD - 8ch 4MP recording
Backup Mode	Network/USB2.0 devices

Network

Ethernet	RJ45 10M/100M
Network Functions	HTTP, IPv4/IPv6, TCP/IP, UPNP, RTSP, UDP, SMTP, NTP, DHCP, DNS, PPPoE, DDNS, FTP
Network Monitoring	Web browsers, CMS, Android & iPhone apps

Storage

Internal HDD	1 SATA HDD, up to 8TB per HDD
--------------	-------------------------------

Auxiliary Interface

USB Interface	2
---------------	---

General

Power Supply	DC12V/2A
Power Consumption	<10W (without hard disk)
Operation Condition	0°C – +55°C / 10% – 90%
Dimensions	250(W)x230(D)x45(H)mm



4 Channel Full HD 500GB CCTV System SHDV4KD4G 8 Channel Full HD 1TB CCTV System SHDV8KD4G

- Complete with DVR, Cameras, Cable & System Power Supply
- 4 x 4MP HD day/night dome Cameras - SHDVC36FDG/SHDVC36FDW
- Hard drive options: SHDV4KD - 500GB, 1TB, 2TB, 4TB or 8TB
- 4 Channel System (Supports up to 4 cameras)
- 4 Megapixel live view and recording
- Recording options – Continuous / Scheduled / Motion
- Remote view via ESP[®] HDview APP for smartphones
- USB back up of recordings for easy evidence transfer
- Video outputs HDMI / VGA for connection to a monitor
- Premium Surveillance Hard Drive pre-installed
- Programmable Spot Output
- CMS software included for remote viewing via a pc
- Remote monitoring via wired connection or PowerLine Adapter (PLA)
- Mouse driven comprehensive user interface
- Silent DVR operation

System

Main Processor	Embedded Processor
Operating System	Embedded LINUX

Video & Audio

Video Input	SHDV4KD - 4 channel BNC SHDV8KD - 8 channel BNC
Audio Input	SHDV4KD - 4 channel RCA SHDV8KD - 4 channel RCA
Audio Output	1 channel RCA

Display

Video Output	1 x HDMI, 1 x VGA, 1 x Auxiliary
Display Split	SHDV4KD - 1 and 4 SHDV8KD - 1, 4 and 10
Resolution	1024 x768, 1280 x720, 1280 x1024, 1440 x900, 1920 x1080, 2560x1440

Recording

Video/Audio Compression	H.264 Mainprofile/G.711A
Resolution	4 Megapixel
Record Rate (Main Stream)	SHDV4KD - 4ch 4MP recording SHDV8KD - 8ch 2MP recording
Recording Mode	Manual/Motion Detection/Schedule

Playback & Backup

Sync Playback	SHDV4KD - 4ch 4MP recording SHDV8KD - 8ch 4MP recording
Backup Mode	Network/USB2.0 devices

Network

Ethernet	RJ45 10M/100M
Network Functions	HTTP, IPv4/IPv6, TCP/IP, UPNP, RTSP, UDP, SMTP, NTP, DHCP, DNS, PPPoE, DDNS, FTP
Network Monitoring	Web browsers, CMS, Android & iPhone apps

Storage

Internal HDD	1 SATA HDD, up to 8TB per HDD
--------------	-------------------------------

Auxiliary Interface

USB Interface	2
---------------	---

General

Power Supply	DC12V/2A
Power Consumption	<10W (without hard disk)
Operation Condition	0°C – +55°C / 10% – 90%
Dimensions	250(W)x230(D)x45(H)mm



SHDV4KB2G

4 Channel Full HD 500GB CCTV System



- Complete with DVR, Cameras, Cable & System Power Supply
- 2 x 4MP HD day/night bullet Cameras - SHDVC36FBG/SHDVC36FBW
- Hard drive options: SHDV4KB - 500GB, 1TB, 2TB, 4TB or 8TB
- 4 Channel System (Supports up to 4 cameras)
- 4 Megapixel live view and recording
- Recording options – Continuous / Scheduled / Motion
- Remote view via ESP[®] HDview APP for smartphones
- USB back up of recordings for easy evidence transfer

- Video outputs HDMI / VGA for connection to a monitor
- Premium Surveillance Hard Drive pre-installed
- Programmable Spot Output
- CMS software included for remote viewing via a pc
- Remote monitoring via wired connection or PowerLine Adapter (PLA)
- Mouse driven comprehensive user interface
- Silent DVR operation

System	
Main Processor	Embedded Processor
Operating System	Embedded LINUX
Video & Audio	
Video Input	SHDV4KB - 4 channel BNC SHDV8KB - 8 channel BNC
Audio Input	SHDV4KB - 4 channel RCA SHDV8KB - 4 channel RCA
Audio Output	1 channel RCA
Display	
Video Output	1 x HDMI, 1 x VGA, 1 x Auxiliary
Display Split	SHDV4KB - 1 and 4 SHDV8KB - 1, 4 and 10
Resolution	1024 x768, 1280 x720, 1280 x1024, 1440 x900, 1920 x1080, 2560x1440
Recording	
Video/Audio Compression	H.264 Mainprofile/G.711A
Resolution	4 Megapixel
Record Rate (Main Stream)	SHDV4KB - 4ch 4MP recording SHDV8KB - 8ch 2MP recording
Recording Mode	Manual/Motion Detection/Schedule

Playback & Backup	
Sync Playback	SHDV4KB - 4ch 4MP recording SHDV8KB - 8ch 4MP recording
Backup Mode	Network/USB2.0 devices
Network	
Ethernet	RJ45 10M/100M
Network Functions	HTTP, IPv4/IPv6, TCP/IP, UPNP, RTSP, UDP, SMTP, NTP, DHCP, DNS, PPPoE, DDNS, FTP
Network Monitoring	Web browsers, CMS, Android & iPhone apps
Storage	
Internal HDD	1 SATA HDD, up to 8TB per HDD
Auxiliary Interface	
USB Interface	2
General	
Power Supply	DC12V/2A
Power Consumption	<10W (without hard disk)
Operation Condition	0°C – +55°C / 10% – 90%
Dimensions	250(W)x230(D)x45(H)mm



4 Channel Full HD 500GB CCTV System SHDV4KB4G
8 Channel Full HD 1TB CCTV System SHDV8KB4G

- Complete with DVR, Cameras, Cable & System Power Supply
- 4 x 4MP HD day/night bullet Cameras - SHDVC36FBG/SHDVC36FBW
- Hard drive options: SHDV4KB - 500GB, 1TB, 2TB, 4TB or 8TB
- 4 Channel System (Supports up to 4 cameras)
- 4 Megapixel live view and recording
- Recording options – Continuous / Scheduled / Motion
- Remote view via ESP[®] HDview APP for smartphones
- USB back up of recordings for easy evidence transfer

- Video outputs HDMI / VGA for connection to a monitor
- Premium Surveillance Hard Drive pre-installed
- Programmable Spot Output
- CMS software included for remote viewing via a pc
- Remote monitoring via wired connection or PowerLine Adapter (PLA)
- Mouse driven comprehensive user interface
- Silent DVR operation

System	
Main Processor	Embedded Processor
Operating System	Embedded LINUX
Video & Audio	
Video Input	SHDV4KB - 4 channel BNC SHDV8KB - 8 channel BNC
Audio Input	SHDV4KB - 4 channel RCA SHDV8KB - 4 channel RCA
Audio Output	1 channel RCA
Display	
Video Output	1 x HDMI, 1 x VGA, 1 x Auxiliary
Display Split	SHDV4KB - 1 and 4 SHDV8KB - 1, 4 and 10
Resolution	1024 x768, 1280 x720, 1280 x1024, 1440 x900, 1920 x1080, 2560x1440
Recording	
Video/Audio Compression	H.264 Mainprofile/G.711A
Resolution	4 Megapixel
Record Rate (Main Stream)	SHDV4KB - 4ch 4MP recording SHDV8KB - 8ch 2MP recording
Recording Mode	Manual/Motion Detection/Schedule

Playback & Backup	
Sync Playback	SHDV4KB - 4ch 4MP recording SHDV8KB - 8ch 4MP recording
Backup Mode	Network/USB2.0 devices
Network	
Ethernet	RJ45 10M/100M
Network Functions	HTTP, IPv4/IPv6, TCP/IP, UPNP, RTSP, UDP, SMTP, NTP, DHCP, DNS, PPPoE, DDNS, FTP
Network Monitoring	Web browsers, CMS, Android & iPhone apps
Storage	
Internal HDD	1 SATA HDD, up to 8TB per HDD
Auxiliary Interface	
USB Interface	2
General	
Power Supply	DC12V/2A
Power Consumption	<10W (without hard disk)
Operation Condition	0°C – +55°C / 10% – 90%
Dimensions	250(W)x230(D)x45(H)mm



FHDVC18PTZ

1080P External Pan, Tilt & Zoom Camera



- True High Definition 2MP AHD sensor
- 4.7-84.6mm varifocal lens
- Full pan, tilt and zoom operation
- Full 360° rotation pan function
- 18 x optical zoom
- Up to 50m IR night illumination
- Complete with 2 amp power supply
- IP66 weatherproof rating

Rated Voltage	12V DC
Max Current	1.25A
IR Effective Distance	50M
Protection	IP66
Pan Rotation	360° Endless rotation
Speed	Pan 0.6-200° /s Tilt 3.5-30° /s
Working Conditions	-10°C - +50°C
Dimensions	150(W) x 235(H) x 205(D)mm



PTZCON

Pan, Tilt And Zoom Controller

- For use with PTZ Cameras
- Keyboard for programming and Camera control
- Integrated LCD display
- 3D joystick for control of Camera pan, tilt and zoom functions

Protocol	Pelco-P, Pelco-D, Panasonic, HikVision, Samsung, RULE, Dahua, SAE
Baud Rate (bps)	1200, 2400, 4800, 9600, 19200
Max Camera Support	255
Controllers Supported	16 in total (15 auxiliary)
Power Supply	DC 12V±10%
Power Consumption	6W MAX
Working Temperature	0°C-50°C
Dimensions	420 x 260 x 170mm
Outputs	BNC, Audio
VESA Wall Hanging	100 x 100mm
Power Supply	AC100-240V-50/60 Hz 1.1A

rekor HD

2 Megapixel Cameras and Kits



2MP Cameras



Premium Surveillance Hard Drive



ESP View App for Smart Devices



360° Rotation

Fixed Lens Cameras



Ingress Protection Rating



Suitable for use during Day and Night

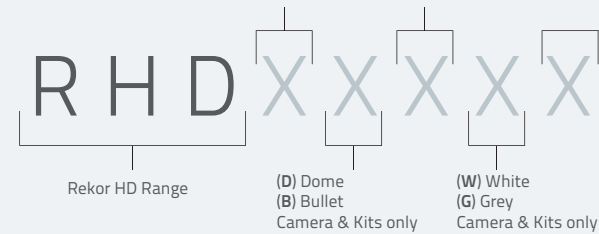


(C36F) Camera
(2812VF) Camera
(550VF) Camera
(4K) 4 Channel Kit

(8K) 8 Channel Kit
(4R) 4 Channel DVR
(8R) 8 Channel DVR
(16R) 16 Channel DVR

(2) or (4)
No. of Cameras in Kit

(1TB), (2TB), (4TB), (8TB) or (16TB)
Hard drive options



Code (White)	Code (Grey)	Description
RekorHD Cameras		
RHDC36FBW	RHDC36FBG	3.6mm Lens Full HD Bullet Camera
RHDC36FDW	RHDC36FDG	3.6mm Lens Full HD Dome Camera
RHDC2812VFDW	RHDC2812VFDG	2.8-12mm Lens 2MP HD Analog Dome Camera
RHDC2812VFBW	RHDC2812VFBG	2.8-12mm Lens 2MP HD Analog Bullet Camera
RHDC550VFBW	RHDC550VFBG	5-50mm Lens 2MP HD Analog Bullet Camera
RHDC2812VFDWAV	RHDC2812VFDGAV	2.8-12mm Lens 2MP HD Analog Vandal Resistant Dome Camera
RekorHD Kits		
RHD4KB2W	RHD4KB2G	4 Channel HD 500GB CCTV System - 2 x Bullet
RHD4KB2W1TB	RHD4KB2G1TB	4 Channel HD 1TB CCTV System - 2 x Bullet
RHD4KB2W2TB	RHD4KB2G2TB	4 Channel HD 2TB CCTV System - 2 x Bullet
RHD4KB4W	RHD4KB4G	4 Channel HD 500GB CCTV System - 4 x Bullet
RHD4KB4W1TB	RHD4KB4G1TB	4 Channel HD 1TB CCTV System - 4 x Bullet
RHD4KB4W2TB	RHD4KB4G2TB	4 Channel HD 2TB CCTV System - 4 x Bullet
RHD8KB4W	RHD8KB4G	8 Channel HD 1TB CCTV System - 4 x Bullet
RHD8KB4W2TB	RHD8KB4G2TB	8 Channel HD 2TB CCTV System - 4 x Bullet
RHD8KB4W4TB	RHD8KB4G4TB	8 Channel HD 4TB CCTV System - 4 x Bullet
RHD4KD2W	RHD4KD2G	4 Channel HD 500GB CCTV System - 2 x Dome
RHD4KD2W1TB	RHD4KD2G1TB	4 Channel HD 1TB CCTV System - 2 x Dome
RHD4KD2W2TB	RHD4KD2G2TB	4 Channel HD 2TB CCTV System - 2 x Dome
RHD4KD4W	RHD4KD4G	4 Channel HD 500GB CCTV System - 4 x Dome
RHD4KD4W1TB	RHD4KD4G1TB	4 Channel HD 1TB CCTV System - 4 x Dome
RHD4KD4W2TB	RHD4KD4G2TB	4 Channel HD 2TB CCTV System - 4 x Dome
RHD8KD4W	RHD8KD4G	8 Channel HD 1TB CCTV System - 4 x Dome
RHD8KD4W2TB	RHD8KD4G2TB	8 Channel HD 2TB CCTV System - 4 x Dome
RHD8KD4W4TB	RHD8KD4G4TB	8 Channel HD 4TB CCTV System - 4 x Dome
RekorHD DVRs		
RHD4R		4 Channel Full HD 500GB DVR
RHD4R1TB		4 Channel Full HD 1TB DVR
RHD4R2TB		4 Channel Full HD 2TB DVR
RHD8R		8 Channel Full HD 1TB DVR
RHD8R2TB		8 Channel Full HD 2TB DVR
RHD8R4TB		8 Channel Full HD 4TB DVR
RHD16R		16 Channel Full HD 2TB DVR
RHD16R4TB		16 Channel Full HD 4TB DVR
RHD16R8TB		16 Channel Full HD 8TB DVR



IPCDBW White Camera Deep Base



IPCDBW White Camera Deep Base

RHDC36FBW
White 3.6mm Lens Full HD Camera



- HD 2MP Resolution
- 3.6mm Fixed Lens
- 1/2.8" Image Sensor
- 30 Infrared LED Illumination
- 87° Viewing Angle
- IP66 Housing Ingress Protection
- 12vDC
- Operating Temperature: -30 ~ +50°C
- Dimensions: Ø71 X 151 mm
- Weight: 350g

Sensor Size	1/2.8"
Effective Pixels	NTSC/ PAL:1920(H) x 1080(V)
Resolution	1080p
Minimum Illumination	0.05 Lux
Scanning System	Progressive
Shutter Speed	Automatic
IR Distance	30m
Video Output	1Vpp, 75 ohms
Auto Gain Control	Auto
Power	12vDC
Lens	3.6mm
Dimensions	Ø71mm x 151mm
Weight	350g
Operating Temperature	-30 ~ +50°C

RHDC36FDW
White 3.6mm Lens Full HD Camera



- HD 2MP Resolution
- 3.6mm Fixed Lens
- 1/2.8" Image Sensor
- 30 Infrared LED Illumination
- 87° Viewing Angle
- IP66 Housing Ingress Protection
- 12vDC
- Operating Temperature: -30 ~ +50°C
- Dimensions: Ø100 X 82 mm
- Weight: 400g

Sensor Size	1/2.8"
Effective Pixels	NTSC/ PAL:1920(H) x 1080(V)
Resolution	1080p
Minimum Illumination	0.05 Lux
Scanning System	Progressive
Shutter Speed	Automatic
IR Distance	30m
Video Output	1Vpp, 75 ohms
Auto Gain Control	Auto
Power	12vDC
Lens	3.6mm
Dimensions	Ø100mm x 82mm
Weight	400g
Operating Temperature	-30 ~ +50°C



- HD 2MP Resolution
- 2.8-12mm Varifocal Lens
- 1/2.7" Image Sensor
- 35 Infrared LED Illumination
- 113-30° Viewing Angle
- IP66 Housing Ingress Protection
- 12VDC
- Operating Temperature: -30~ + 50°C
- Dimensions: Ø88 X 240 mm

Sensor Size	1/2.7"
Effective Pixels	1936 x 1096
Resolution	1080p
Minimum Illumination	0.05 Lux
Scanning System	Progressive
Shutter Speed	Automatic
IR Distance	35m
Video Output	1Vpp, 75 ohms
Gain Control	Auto
Power	12VDC
Lens	2.8-12mm Varifocal Lens
Ingress Protection	IP66
Dimensions	Ø88mm x 240 mm
Weight	980g
Operating Temperature	-30~ + 50°C

RHDC2812VFBW White 2.8-12mm Lens Full HD Camera
RHDC2812VFBG Grey 2.8-12mm Lens Full HD Camera



- HD 2MP Resolution
- 2.8-12mm Varifocal Lens
- 1/2.7" Image Sensor
- 40 Infrared LED Illumination
- 113-30° Viewing Angle
- IP66 Housing Ingress Protection
- 12VDC
- Operating Temperature: -30~ + 50°C
- Dimensions: Ø126 X 102 mm

Sensor Size	1/2.7"
Effective Pixels	1936 x 1096
Resolution	1080p
Minimum Illumination	0.05 Lux
Scanning System	Progressive
Shutter Speed	Automatic
IR Distance	40m
Video Output	1Vpp, 75 ohms
Gain Control	Auto
Power	12VDC
Lens	2.8-12mm Varifocal Lens
Ingress Protection	IP66
Dimensions	Ø126mm x 102 mm
Weight	735g
Operating Temperature	-30~ + 50°C

RHDC2812VFDG Grey 2.8-12mm Lens Full HD Camera
RHDC2812VFDW White 2.8-12mm Lens Full HD Camera



- HD 2MP Resolution
- 5-50mm Varifocal Lens
- 1/2.8" Image Sensor
- 60m Infrared LED Illumination
- 49-7° Viewing Angle
- IP66 Housing Ingress Protection
- 12VDC
- Operating Temperature: -30~ + 50°C
- Dimensions: Ø108 X 301 mm

Sensor Size	1/2.8"
Effective Pixels	1936 x 1096
Resolution	1080p
Minimum Illumination	0.05 Lux
Scanning System	Progressive
Shutter Speed	Automatic
IR Distance	60m
Video Output	1Vpp, 75 ohms
Gain Control	Auto
Power	12VDC
Lens	5-50mm Varifocal Lens
Ingress Protection	IP66
Dimensions	Ø108mm x 301 mm
Weight	1450g
Operating Temperature	-30~ + 50°C

RHDC550VFBW White 5-50mm Lens Full HD Camera
RHDC550VFBG Grey 5-50mm Lens Full HD Camera



- HD 2MP Resolution
- 2.8-12mm Varifocal Lens
- 1/2.7" Image Sensor
- 30 Infrared LED Illumination
- 113-30° Viewing Angle
- IP66 Housing Ingress Protection
- IK10 Impact Protection
- 12VDC
- Operating Temperature: -30~ + 50°C
- Dimensions: Ø147 X 117 mm

Sensor Size	1/2.7"
Effective Pixels	1936 x 1096
Resolution	1080p
Minimum Illumination	0.05 Lux
Scanning System	Progressive
Shutter Speed	Automatic
IR Distance	30m
Video Output	1Vpp, 75 ohms
Gain Control	Auto
Power	12VDC
Lens	2.8-12mm Varifocal Lens
Ingress Protection	IP66
Impact Resistance	IK10
Dimensions	Ø147 X 117 mm
Weight	800g

RHDC2812VFDGAV Grey 2.8-12mm Lens Full HD Vandal Resistant Camera
RHDC2812VFDWAV White 2.8-12mm Lens Full HD Vandal Resistant Camera





RHD4R 4 Channel Full HD 500GB DVR
RHD8R 8 Channel Full HD 1TB DVR



- HD 2MP Resolution Viewing and Recording
- 4CH Analog DVR
- Intelligent Function, with Perimeter Intrusion Detection & Line Crossing Detection
- H.265 Video Compression for Efficient Storage
- Pre-Installed Premium Hard Drive
- Remote Monitoring via APP (Android / IOS) or PC
- Playback / Record / Remote View Simultaneously
- Continuous / Scheduled / Motion Record Modes
- HDMI Output (4K)
- USB Backup for Evidence Transfer
- Mouse Driven User Menu

System	
Operating System	LINUX
Video & Audio	
Video Input	4 Channel BNC
Audio Input	4 RCA Inputs
Audio Output	1 Channel RCA
Display	
Video Output	1 x HDMI, 1 x VGA & 1 x BNC
Display Split	1/4/9
Resolution	1024 x 768, 1280 x 720, 1280 x 1024, 1440 x 900, 1920 x 1080, 1080 x 1440, 3840 x 2160
Recording	
Video/Audio Compression	H.265
Resolution	1080P @15fps
Record Rate (Main Stream)	4ch 1080P recording
Recording Mode	Manual/Motion Detection/Schedule
Playback & Backup	
Sync Playback	4ch 1080P playback
Backup Mode	USB2.0 devices

Network	
Ethernet	RJ45 10M/100M
Network Functions	HTTP, IPv4/IPv6, TCP/IP, UPNP, RTSP, UDP, SMTP, NTP, DHCP, DNS, PPPoE, DDNS, FTP
Network Monitoring	CMS, Android & iPhone apps
Storage	
Internal HDD	1 SATA
Auxiliary Interface	
USB Interface	2
General	
Power Supply	DC12V/5A
Power Consumption	<10W (without hard disk)
Operation Condition	0°C ~ +55°C / 10% ~ 90%
Dimensions	300mm x 227mm x 53mm
Power Supply	DC12V/2A
DVR Power Consumption	<10W
Operating Temperature	0°C~+40°C
Relative Humidity Resistance	Less than 90%RH
Dimensions	



RHD16R
 16 Channel Full HD 2TB DVR



- HD 2MP Resolution Viewing and Recording
- 16CH Analog DVR
- Intelligent Function, with Perimeter Intrusion Detection & Line Crossing Detection
- H.265 Video Compression for Efficient Storage
- Pre-Installed Premium Hard Drive
- Remote Monitoring via APP (Android / IOS) or PC
- Playback / Record / Remote View Simultaneously
- Continuous / Scheduled / Motion Record Modes
- HDMI Output (4K)
- USB Backup for Evidence Transfer
- Mouse Driven User Menu

System	
Operating System	LINUX
Video & Audio	
Video Input	16 Channel BNC
Audio Input	4 RCA Inputs
Audio Output	1 Channel RCA
Display	
Video Output	1 x HDMI, 1 x VGA & 1 x BNC
Display Split	1/4/9/16/20
Resolution	1024 x 768, 1280 x 720, 1280 x 1024, 1440 x 900, 1920 x 1080, 1080 x 1440, 3840 x 2160
Recording	
Video/Audio Compression	H.265
Resolution	1080P @15fps
Record Rate (Main Stream)	16ch 1080P recording
Recording Mode	Manual/Motion Detection/Schedule
Playback & Backup	
Sync Playback	16ch 1080P playback
Backup Mode	USB2.0 devices

Network	
Ethernet	RJ45 10M/100M
Network Functions	HTTP, IPv4/IPv6, TCP/IP, UPNP, RTSP, UDP, SMTP, NTP, DHCP, DNS, PPPoE, DDNS, FTP
Network Monitoring	CMS, Android & iPhone apps
Storage	
Internal HDD	2 SATA 2TB HDD
Auxiliary Interface	
USB Interface	2
General	
Power Supply	DC12V/5A
Power Consumption	<10W (without hard disk)
Operation Condition	0°C ~ +55°C / 10% ~ 90%
Dimensions	300mm x 227mm x 53mm
Power Supply	DC12V/2A
DVR Power Consumption	<10W
Operating Temperature	0°C~+40°C
Relative Humidity Resistance	Less than 90%RH
Dimensions	



RHD4KD2G Grey **RHD4KD2W** White
4 Channel HD 500GB CCTV System



- Complete with 4 Channel DVR, Cameras, Cables & System Power Supply
- HD 2MP Resolution Viewing and Recording
- 2 x 2MP, Day/ Night, Weatherproof Cameras
- Intelligent Function, with Perimeter Intrusion Detection & Line Crossing Detection
- H.265 Video Compression for Efficient Storage

- Pre-Installed Premium Hard Drive
- Remote Monitoring via APP (Android / IOS) or PC
- Playback / Record / Remote View Simultaneously
- Continuous / Scheduled / Motion Record Modes
- USB Backup for Evidence Transfer
- Mouse Driven User Menu

System	
Operating System	LINUX
Video & Audio	
Video Input	4 Channel BNC
Audio Input	4 RCA Inputs
Audio Output	1 Channel RCA
Display	
Video Output	1 x HDMI, 1 x VGA & 1 x BNC
Display Split	Single / Quad
Resolution	1024 x 768, 1280 x 720, 1280 x 1024, 1440 x 900, 1920 x 1080, 1080 x 1440, 3840 x 2160
Recording	
Video/Audio Compression	H.265
Resolution	1080P @15fps
Record Rate (Main Stream)	4ch 1080P recording
Recording Mode	Manual/Motion Detection/Schedule

Playback & Backup	
Sync Playback	4ch 1080P playback
Backup Mode	USB2.0 devices
Network	
Ethernet	RJ45 10M/100M
Network Functions	HTTP, IPv4/IPv6, TCP/IP, UPNP, RTSP, UDP, SMTP, NTP, DHCP, DNS, PPPoE, DDNS, FTP
Network Monitoring	CMS, Android & iPhone apps
Storage	
Internal HDD	1 SATA 500GB HDD
Auxiliary Interface	
USB Interface	2
General	
Power Supply	DC12V/5A
Power Consumption	<10W (without hard disk)
Operation Condition	0°C – +55°C / 10% – 90%
Dimensions	300mm x 227mm x 53mm

RHD4KD4G Grey **RHD4KD4W** White
4 Channel HD 500GB CCTV System

RHD8KD4G Grey **RHD8KD4W** White
8 Channel HD 1TB CCTV System



- Complete with 4 Channel DVR, Cameras, Cables & System Power Supply
- HD 2MP Resolution Viewing and Recording
- 4 x 2MP, Day/ Night, Weatherproof Cameras
- Intelligent Function, with Perimeter Intrusion Detection & Line Crossing Detection
- H.265 Video Compression for Efficient Storage

- Pre-Installed Premium Hard Drive
- Remote Monitoring via APP (Android / IOS) or PC
- Playback / Record / Remote View Simultaneously
- Continuous / Scheduled / Motion Record Modes
- USB Backup for Evidence Transfer
- Mouse Driven User Menu

System	
Operating System	LINUX
Video & Audio	
Video Input	4 Channel BNC
Audio Input	4 RCA Inputs
Audio Output	1 Channel RCA
Display	
Video Output	1 x HDMI, 1 x VGA & 1 x BNC
Display Split	Single / Quad
Resolution	1024 x 768, 1280 x 720, 1280 x 1024, 1440 x 900, 1920 x 1080, 1080 x 1440, 3840 x 2160
Recording	
Video/Audio Compression	H.265
Resolution	1080P @15fps
Record Rate (Main Stream)	4ch 1080P recording
Recording Mode	Manual/ Motion Detection/Schedule

Playback & Backup	
Sync Playback	4ch 1080P playback
Backup Mode	USB2.0 devices
Network	
Ethernet	RJ45 10M/100M
Network Functions	HTTP, IPv4/IPv6, TCP/IP, UPNP, RTSP, UDP, SMTP, NTP, DHCP, DNS, PPPoE, DDNS, FTP
Network Monitoring	CMS, Android & iPhone apps
Storage	
Internal HDD	1 SATA 500GB HDD
Auxiliary Interface	
USB Interface	2
General	
Power Supply	DC12V/5A
Power Consumption	<10W (without hard disk)
Operation Condition	0°C – +55°C / 10% – 90%
Dimensions	300mm x 227mm x 53mm



Grey Kits

White Kits

For 1TB or 2TB kits please add **1TB or 2TB** to the code. e.g. RHD4KB2G**1TB**

RHD4KB2G Grey **RHD4KB2W** White
4 Channel HD 500GB CCTV System



- Complete with 4 Channel DVR, Cameras, Cables & System Power Supply
- HD 2MP Resolution Viewing and Recording
- 2 x 2MP, Day/ Night, Weatherproof Cameras
- Intelligent Function, with Perimeter Intrusion Detection & Line Crossing Detection
- H.265 Video Compression for Efficient Storage

- Pre-Installed Premium Hard Drive
- Remote Monitoring via APP (Android / IOS) or PC
- Playback / Record / Remote View Simultaneously
- Continuous / Scheduled / Motion Record Modes
- USB Backup for Evidence Transfer
- Mouse Driven User Menu

System	
Operating System	LINUX
Video & Audio	
Video Input	4 Channel BNC
Audio Input	4 RCA Inputs
Audio Output	1 Channel RCA
Display	
Video Output	1 x HDMI, 1 x VGA & 1 x BNC
Display Split	Single / Quad
Resolution	1024 x 768, 1280 x 720, 1280 x 1024, 1440 x 900, 1920 x 1080, 1080 x 1440, 3840 x 2160
Recording	
Video/Audio Compression	H.265
Resolution	1080P @15fps
Record Rate (Main Stream)	4ch 1080P recording
Recording Mode	Manual/Motion Detection/Schedule

Playback & Backup	
Sync Playback	4ch 1080P playback
Backup Mode	USB2.0 devices
Network	
Ethernet	RJ45 10M/100M
Network Functions	HTTP, IPv4/IPv6, TCP/IP, UPNP, RTSP, UDP, SMTP, NTP, DHCP, DNS, PPPoE, DDNS, FTP
Network Monitoring	CMS, Android & iPhone apps
Storage	
Internal HDD	1 SATA 500GB HDD
Auxiliary Interface	
USB Interface	2
General	
Power Supply	DC12V/5A
Power Consumption	<10W (without hard disk)
Operation Condition	0°C – +55°C / 10% – 90%
Dimensions	300mm x 227mm x 53mm



Grey Kits

White Kits

For 1TB or 2TB kits please add **1TB or 2TB** to the code. e.g. RHD4KB4G**2TB** (4 Channel)
For 2TB or 4TB kits please add **2TB or 4TB** to the code. e.g. RHD8KB4G**2TB** (8 Channel)

RHD4KB4G Grey **RHD4KB4W** White
4 Channel HD 500GB CCTV System **RHD8KB4G** Grey **RHD8KB4W** White
8 Channel HD 1TB CCTV System



- Complete with 4 Channel DVR, Cameras, Cables & System Power Supply
- HD 2MP Resolution Viewing and Recording
- 4 x 2MP, Day/ Night, Weatherproof Cameras
- Intelligent Function, with Perimeter Intrusion Detection & Line Crossing Detection
- H.265 Video Compression for Efficient Storage

- Pre-Installed Premium Hard Drive
- Remote Monitoring via APP (Android / IOS) or PC
- Playback / Record / Remote View Simultaneously
- Continuous / Scheduled / Motion Record Modes
- USB Backup for Evidence Transfer
- Mouse Driven User Menu

System	
Operating System	LINUX
Video & Audio	
Video Input	4 Channel BNC
Audio Input	4 RCA Inputs
Audio Output	1 Channel RCA
Display	
Video Output	1 x HDMI, 1 x VGA & 1 x BNC
Display Split	Single / Quad
Resolution	1024 x 768, 1280 x 720, 1280 x 1024, 1440 x 900, 1920 x 1080, 1080 x 1440, 3840 x 2160
Recording	
Video/Audio Compression	H.265
Resolution	1080P @15fps
Record Rate (Main Stream)	4ch 1080P recording
Recording Mode	Manual/ Motion Detection/Schedule

Playback & Backup	
Sync Playback	4ch 1080P playback
Backup Mode	USB2.0 devices
Network	
Ethernet	RJ45 10M/100M
Network Functions	HTTP, IPv4/IPv6, TCP/IP, UPNP, RTSP, UDP, SMTP, NTP, DHCP, DNS, PPPoE, DDNS, FTP
Network Monitoring	CMS, Android & iPhone apps
Storage	
Internal HDD	1 SATA 500GB HDD
Auxiliary Interface	
USB Interface	2
General	
Power Supply	DC12V/5A
Power Consumption	<10W (without hard disk)
Operation Condition	0°C – +55°C / 10% – 90%
Dimensions	300mm x 227mm x 53mm



- Energy efficient wide screen
- 18.5" LED-Backlit Screen
- VGA, HDMI, BNC input for DVR/NVR connection
- Audio Input
- 2 X 2W Speakers
- Complete with desktop stand
- VESA Standard wall mount option
- Internal Power Supply
- Operating Temperature 0° - 40°
- Operating Humidity 10%-80%
- HDMI & VGA Cable Included

Size	18.5" LED
Aspect Ratio	16:09
Resolution (H x V)	1360 x 768
Colours	16.7M
Viewing Angle	H: 170° V: 160°
Contrast Ratio	10000:1 (DCR)
Response Time	5ms
Speakers	2 each (2 watts)
Inputs	BNC, HDMI, VGA, Audio
VESA Wall Hanging	100 x 100mm
Power Supply	AC100-240V-50/60 Hz 1.1A

MON18L
18.5" LED CCTV Monitor

- Energy efficient wide screen
- 23.8" LED-Backlit Screen
- VGA, HDMI, BNC input for DVR/ NVR connection
- Audio Input
- 2 X 2W Speakers
- Complete with desktop stand
- VESA Standard wall mount option
- Internal Power Supply
- Operating Temperature 0° - 40°
- Operating Humidity 10%-80%
- HDMI & VGA Cable Included

Size	23.8" LED
Aspect Ratio	16:09
Resolution (H x V)	1920 x 1080
Colours	16.7M
Viewing Angle	H: 178° V: 178°
Contrast Ratio	10000:1 (DCR)
Response Time	8ms
Speakers	2 each (2 watts)
Inputs	BNC, HDMI, VGA, Audio
VESA Wall Hanging	75 x 75mm
Power Supply	AC100-240V-50/60 Hz 1.1A

MON23L
23.8" LED CCTV Monitor



- Energy efficient wide screen
- 21.5" LED-Backlit Screen
- VGA, HDMI, BNC input for DVR/ NVR connection
- Audio Input
- 2 X 2W Speakers
- Complete with desktop stand
- VESA Standard wall mount option
- Internal Power Supply
- Operating Temperature 0° - 40°
- Operating Humidity 10%-80%
- HDMI & VGA Cable Included

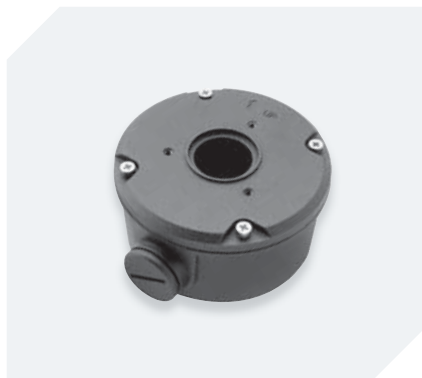
Size	21.5" LED
Aspect Ratio	16:09
Resolution (H x V)	1920 x 1080
Colours	16.7M
Viewing Angle	H: 178° V: 178°
Contrast Ratio	10000:1 (DCR)
Response Time	8ms
Speakers	2 each (2 watts)
Inputs	BNC, HDMI, VGA, Audio
VESA Wall Hanging	75 x 75mm
Power Supply	AC100-240V-50/60 Hz 1.1A

MON21L
21.5" LED CCTV Monitor

- Energy efficient wide screen LED panel
- Sleek black design
- HDMI x 2, DP, VGA, Audio, RS232 In/Out

Screen Size (Diagonal)	31.5"
Aspect Ratio	16:09
Supported Resolutions	640x480; 800x600; 1024x768; 1280x1024; 1920x1080; 3840x2160
Viewing Angle	H: 170° V: 170°
Constrast Ratio	3000:1
Response Time	9.5ms
Inputs	2 x HDMI, 1 x Display Port, 1 x VGA, 1 x Audio, 1 x RS232
Outputs	1 x RS232
VESA Wall Mount	200mm x 100mm
Power Input	100 - 240V AC
Power Consumption	<55W

MON324K
LED CCTV 31.5" Monitor Black



BBW1
CCTV 24/7 Bullet Deep Base White

- 25mm Cable Entry
- Aluminium Construction
- Suitable for RC228FBW, HC528FBW, HC828FBW

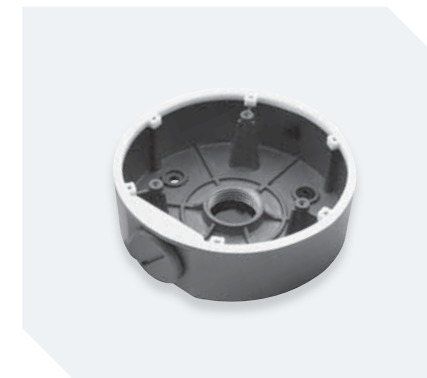
BBG1
CCTV 24/7 Bullet Deep Base Grey

- 25mm Cable Entry
- Aluminium Construction
- Suitable for RC228FBG, HC528FBG, HC828FBG



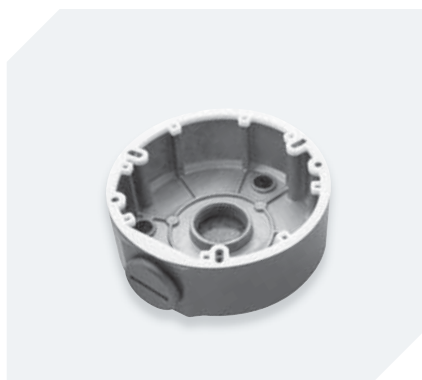
DBW3
CCTV 24/7 Dome Deep Base White

- 25mm Cable Entry
- Aluminium Construction
- Suitable for use with RC228FDW



DBG3
CCTV 24/7 Dome Deep Base Grey

- 25mm Cable Entry
- Aluminium Construction
- Suitable for use with RC228FDG



DBW2
CCTV 24/7 Dome Deep Base White

- 25mm Cable Entry
- Aluminium Construction
- Suitable for use with HC528FDW & HC828FDW

DBG2
CCTV 24/7 Dome Deep Base Grey

- 25mm Cable Entry
- Aluminium Construction
- Suitable for use with HC528FDG & HC828FDG



IPCDBW
White Camera Deep Base

- IP66 Rated
- Metal Construction
- G3/4 Cable Gland Supplied
- Suitable for IP Range; REKIPC36FBW, REKIPC36FDW, HDVIP36FBW, HDVIP28FDW2, HDVIP2812VFBW, HDVIP2812VFDW
- Dimensions: 146 x 59 mm



IPCDBG
Grey Camera Deep Base

- IP66 Rated
- Metal Construction
- G3/4 Cable Gland Supplied
- Suitable for IP Range; REKIPC36FBG, REKIPC36FDG, HDVIP28FBG2, HDVIP28FDG2, HDVIP2812VFBG2, HDVIP2812VFDG, HDVIP550VFBG
- Dimensions: 146 x 59 mm



IPPCBWA
White Camera Deep Base

- IP66 Rated
- Metal Construction
- G3/4 Cable Gland Supplied
- Suitable for IP Range; HDVIP2812VFDWA
- Dimensions: 146 x 59 mm

IPCDBG
Grey Camera Deep Base

- IP66 Rated
- Metal Construction
- G3/4 Cable Gland Supplied
- Suitable for IP Range; HDVIP2812VFDGA
- Dimensions: 146 x 59 mm



DATA CABLE, PRE-TERMINATED WITH RJ45

- CABIP10 - 10m Data Cable
- CABIP20 - 20m Data Cable
- CABIP40 - 40m Data Cable
- CABIP80 - 80m Data Cable



HDVIP1632RRMB
Rack Mount Bracket For Models:
HDVIP16R, HDVIP32R

- Rack Mount Bracket for Models: HDVIP16R, HDVIP32R
- Suitable for Standard 19" Server Rack Mounting



- 1 Channel POE Injector
- 30 Watt
- IEEE802.3af/at
- 100 Meters Transmission

Power Supply	
Input	AC 100-240V
Voltage Range	DC53V
Output	30 Watts
Network Rate	10/ 100/1000Mbps
Standards	IEEE802.3af/at
Supply Mode	Mid-span
Dimensions	115 x 62.5 x 31 mm
Weight	150g
Storage Temperature	-30°C+60°C
Operating Temperature	0°C-55°C

IPIN1POE
1 Channel POE Injector



- 4 Channel POE Switch
- 60 Watt
- 1 Channel Uplink
- IEEE802.3 Standards
- 100 Meters Transmission Per Port
- Mounting Brackets Supplied

Power Supply	
External	53VDC/1.25A
Voltage Range	DC48-56V
Output	60 Watts
Downlink RJ-45 Port	4*10/100Mbps
Uplink RJ-45 Port	1*10/100Mbps
Standards	IEEE802.3af/at
Supply Mode	End-span
Dimensions	160x94x27mm
Weight	425g
Storage Temperature	-30°C+60°C
Operating Temperature	0°C-55°C

IPSW4POE
4 Channel POE Switch



- 8 Channel POE Switch
- 120 Watt
- 1 Channel Uplink
- IEEE802.3 Standards
- 100 Meters Transmission Per Port
- Mounting Brackets Supplied

Power Supply	
External	53VDC/2.5A
Voltage Range	DC48-56V
Output	
	120 Watts
Downlink RJ-45 Port	8*10/100Mbps
Uplink RJ-45 Port	1*10/100Mbps
Standards	IEEE802.3af/at
Supply Mode	End-span
Dimensions	220x105x27mm
Weight	612Kg
Storage Temperature	-30°C+60°C
Operating Temperature	0°C-55°C

IPSW8POE
8 Channel POE Switch

- Plug and play installation
- One Input and one output PoE
- Bandwidth 10/100Mbps
- Short Circuit and Overload Protection
- Requires PoE Supply from NVR or Network Switch

Port	One RJ45 port for PoE input, one RJ45 port for PoE output
PoE Power Supply Mode	Powered via PoE input port, support Mid-Span and End-Span
Transmission Media	standard cat5e/6 or above
PoE Power Output	15.4W(max)
Bandwidth	10/100Mbps
Standard Compliance	IEEE802.3 10BASE-T/IEEE802.3u 100BASE-TX/100BASE-FX-7/IEEE802.3az/IEEE802.3af
Working Status	PoE Indicator, Link/Act Indicator
Dimensions (L*W*H)	83.0mm x 51.5mm x 24.0mm
Weight	88.6g
Environment	
Working Temperature	-10° - 55° C
Storage Temperature	-40° - 85° C
Relative Humidity	5% - 95% (non-condensing)



IPX100POE
PoE Extender



- Data Cable Coupler with RJ45 Ports

CABIPCOUN
Data Cable Coupler

- For use with IP PTZ Cameras
- Keyboard for Programming and Camera Control
- Integrated LCD Display
- Powered VIA 12V or PoE

Protocol	Onvif
Maximum Supported Devices	999
Supported Decoding Formats	H.265 & H.265
Power Supply	DC12V-2A
PoE Compatible	Yes
Power Consumption	<5W
Operating Temperature	-10° C - 55° C
Dimensions	118.7mm x 297mm x 210mm



HDVIPCPTZC
IP Pan, Tilt, and Zoom Controller



CPS9 9 WAY 9 AMP BOXED POWER SUPPLY
CPS16 16 WAY 16 AMP BOXED POWER SUPPLY

- 12VDC power limited output
- Protected outputs
- 100VAC-240VAC (50/60Hz) universal input
- Filtered and electronically regulated output
- Short circuit and thermal overload protection
- AC input and DC output LED indicators
- CPS4 dimensions 182(W) x 260(H) x 66(D)mm
- CPS9 dimensions 322(W) x 322(H) x 86(D)mm
- CPS16 dimensions 322(W) x 322(H) x 86(D)mm

CPS9W 9 WAY 12VDC 5AMP CCTV POWER SUPPLY
CPS18W 18 WAY 12VDC 10AMP CCTV POWER SUPPLY

- 100VAC-240VAC (50/60Hz) universal input
- 1.1A Automatic PTC fuse per output
- Surge & short circuit protection
- Internal on/off power switch
- AC input and DC output LED indicators
- Individual LED indicators per output



PSIL1W
 CAMERA POWER SUPPLY

- For use with CCTV Cameras
- 12 volt
- 1 amp



TFT-BRA1
 Fixed Monitor Bracket

- Closest to wall fit
- Picture style finish
- To fit screens 12-28" (30-71cm)
- Supports 20kg (44lbs)



SHDVCDBG Grey Camera Deep Base
SHDVCDBW White Camera Deep Base

- IP66 Rated
- Metal Construction
- 25mm Cable Entry
- Suitable for HDview 4 Megapixel Range:
 SHDVC36FBG, SHDVC2812VFBG, SHDVC36FDG,
 SHDVC36FBW, SHDVC2812VFBW, SHDVC36FDW
- Dimensions: Ø112.5 x 50(H)mm



SHDVCDBLG Large Grey Camera Deep Base
SHDVCDBLW Large White Camera Deep Base

- IP66 Rated
- Metal Construction
- 25mm Cable Entry
- Suitable for HDview 4 Megapixel Range:
 SHDVC622VFBG, SHDVC550VFBG, SHDVC2812VFDG,
 SHDVC622VFBW, SHDVC550VFBW, SHDVC2812VFDW
- Dimensions: 145(W) x 145(H) x 53(D)mm



TFT-BRA2
 Tilt, Pivot & Rotate Monitor Bracket

- 27° tilt 180° swivel
- Close to wall fit
- To fit screens 12-28" (30-71cm)
- Supports 20kg (44lbs)



TFT-BRA4
 CCTV Monitor VESA Mount Bracket Black

- 15° Tilt
- Close to wall fit
- To fit screens up to 47"
- Supports up to 25kg
- VESA Compatibility up to 200mm x 200mm



PTZCBRKT
PTZ Camera Corner Bracket

- Compatible with external PTZ range
- Improves PTZ viewing coverage
- Metal construction
- White finish



CAB-BNC CABLE CONNECTOR

DUAL FUNCTION, POWER & BNC CABLES

- CAB-10 - 10m Power and BNC Video Cable
- CAB-20 - 20m Power and BNC Video Cable
- CAB-40 - 40m Power and BNC Video Cable
- CAB-80 - 80m Power and BNC Video Cable



HDBALUNV
Single Channel HD Passive Balun

- AHD camera transmission over CAT5 cable
- Single Channel HD Passive Balun
- Transmitter and Receiver pack
- Compatible with AHD and analogue CCTV cameras



HDBALUNVP
Single Channel HD Video & Power Balun

- AHD camera transmission and power over CAT5 cable
- Single Channel HD Video & Power Balun
- Transmitter and Receiver pack
- Compatible with AHD and analogue CCTV cameras



DVRWLA
Wireless USB Network Adaptor

- Enables DVR Wi-Fi connection
- Up to 150mbps wireless transmission
- 4 types of encryption supported
- Compact design



TMPROSHD
CCTV Test Monitor

- Compatible with standard definition, 720P, 1080P & 4 Megapixels CCTV cameras
- Durable design with quality carry case
- 4" LCD Touchscreen
- 12vDC 1A power output for Camera
- Lithium battery rechargeable (7 hrs working time)
- PTZ Camera control and testing



HDBALUNVPCT
Single Channel HD Video & Power Transmitter Balun

- AHD camera transmission and power over CAT5 cable
- Single Channel HD Video & Power Transmitter Balun
- Compatible with AHD and analogue CCTV Cameras



WARN
CCTV Large Yellow Warning Sign

- Large External CCTV Signage
- Clear Bold Writing
- 2 Empty Fields for Personalisation
- 4 Pre-Drilled Holes for Mounting